

9"175'"9h" (CD)

SECTION NUMBER

5341G 8901

STAND LIFTING DRIVE (CD)

SECTION

\*zomisact\*a cut5AL 1

\*y F \*\*14T"tia. TT

Note: When ordering items marked \*, indicate the set number because they are available only as a set.

NO.	t./h44 SET NO. /PART NO.	5.F.44	'A13'11 1/2 / n	ESSENTIAL PARTS NO.	PART NAME	(Qty)
5290 88 112Z	\$9114i1W-				HOUSING	1
	1,16					
5290 88 194Z	V%17-				GEAR	1
	77,78					
5290 89 130-2	D\$V7ADF"Wi1'7h				ASSY BACK GUIDE KNOB SHAFT ASSY	1
	37,38,42,43					
5296 88 160					HANDLE (IVORY)	1
	15,70-72					
5310 88 160	ADFNli (90)				HANDLE (BLACK)	1
	15,70-72					
5330 88 111Z	"Pt5h".9h				BRACKET	1
	1,66					
5341 88 110	' ,*-GV`1'-"7TVh				ASSY BRACKET ASSY	1
	1-4,25,26,63,64,66,74-76					
5341 88 130	Y-G				ASSY ARM ASSY	1
	5,9					
5341 88 140	5IIVF91:"7-GD17F				ASSY RACHET DRIVE ARM SHAFT ASSY	1
	4,25,26					
1 90242	7"VD2 MB1210DU				BUSHING MB1210DU	5
2 5290 88 180					GEAR	1
3 5290 88 183					KEY	1
4 5341 88 113-1	D1'7F				SHAFT	1
5 5341 88 131	\$911,				BUSHING	1
6 5341 88 132					SLIDE CAM	1
7 9660050014	tVI. M5				NUT M5	1
8 9710050008	A"*#"h"* M5				SPRING WASHER M5	3
9 5341 88 120	7-L				ARM	1
10 5290 51 064	A7°U:)9"				SPRING	1
11 5290 51 070	V)(				PAWL	1
12 5290 51 063	L O D				PIN	1
13 9670062508	9 1-7104/F M6X25				SOCKET BOLT M6X25	2
14 5341 88 136	7"o.'9				BLOCK	1
15 9648051014	4/5DD" M5X10				SCREW M5X10	5
16 5290 88 112	\$91M9" -				HOUSING	1
18 90692	/5A" L10				SPRING L10	1
19 9684050508	M5X5				SET SCREW M5X5	4
20 5341 88 133	oV9tVh				LOCK NUT	1
21 9710060008	VV"/"J" M6				SPRING WASHER M6	6
22 9660060014	IVF M6				NUT M6	6

## STAND LIFTING DRIVE (CD)

SECTION NUMBER !

SECTION

\*LgralU=.(t\* Cit54L C h.CDT.,-t7h\*-'4'Cit3ZLTTL,s<sub>o</sub>  
 Note: When ordering items marked \*, indicate the set number because they are available only as a set.

NO.	SET NO. /PART NO.	115 141*/COMPONENT PARTS NO.	PART NAME	VIA Grty
23	9410402508	A7°1D9"t'D 4X25	SPRING PIN 4X25	1
24	5290 88 144		GEAR	1
25	9410402808	77°9D9"t°D 4X28	SPRING PIN 4X28	1
26	5290 88 115	5IVA-Ail-II/	RATCHET WHEEL	1
27	9721070008	E-7	E -RING E-7	4
28	5341 89 111	UD9	LINK	1
29	9670051608	9 1.710 <sup>1</sup> 11,F M5X16	SOCKET BOLT M5X16	2
30	5300 12 224	70 D-F	PLATE	1
31	5310 89 134-1	V7Ei (90)	KNOB (BLACK)	1
31	5316 89 134	97:2 (710i"1-)	KNOB (IVORY)	1
32	9684060608	F D" M6X6	SET SCREW M6X6	2
33	5310 89 133-1	V7α (90)	KNOB (BLACK)	1
33	5316 89 133-1	V7Z (7-WU-)	KNOB (IVORY)	1
34	5310 89 149	hA"-	COVER	1
35	5290 89 120	iA"-	LEVER	1
36	5290 89 148	1]5-	COLLAR	1
37	5290 89 129		SPACER	1
38	5290 89 131-2	D1'7F	SHAFT	1
39	90603	CE-UD9" CE-12	CE-RING CE-12	1
40	5290 89 112	D"91,7	BUSHING	1
41	9642051614	t1'3D" M5X16	SCREW M5X16	2
42	5290 89 135	A7°07vh	SPROCKET	1
43	9410403208	A7°U)9't°:/ 4X32	SPRING PIN 4X32	1
44	5327 44 210	liA"-	LEVER	1
45	5327 44 231	A9VF"	STUD	1
46	9710080008	v*, ' / ) "*" M8	SPRING WASHER M8	1
47	9660080014	tVF M8	NUT M8	1
48	9660040014	tVF M4	NUT M4	4
49	9710040008	A"*#"b"* M4	SPRING WASHER M4	4
50	5330 57 151	7""VF	BRACKET	1
51	97630	91./10.' AS-05N AC115V	SOLENOID AS-05N AC115V	1
52	9670041008	9"1-1i"0 M4X10	SOCKET BOLT M4X10	4
53	90628	AtV7°t°D SSP-4	SNAP PIN SSP-4	1
54	5300 33 561-1	t°D	PIN	1
55	5300 33 562	/73-	COLLAR	2
56	5341 88 270	9D9	LINK	1
57	9670061208	9"1104/F M6X12	SOCKET BOLT M6X12	2
58	5290 89 422		SCREW	1
59	5290 36 351	A7°9)9"A9VF	SPRING STUD	1

50%17"91r) (CD)  
 STAND LIFTING DRIVE (CD)

-t, :> a > #4-  
 SECTION NUMBER

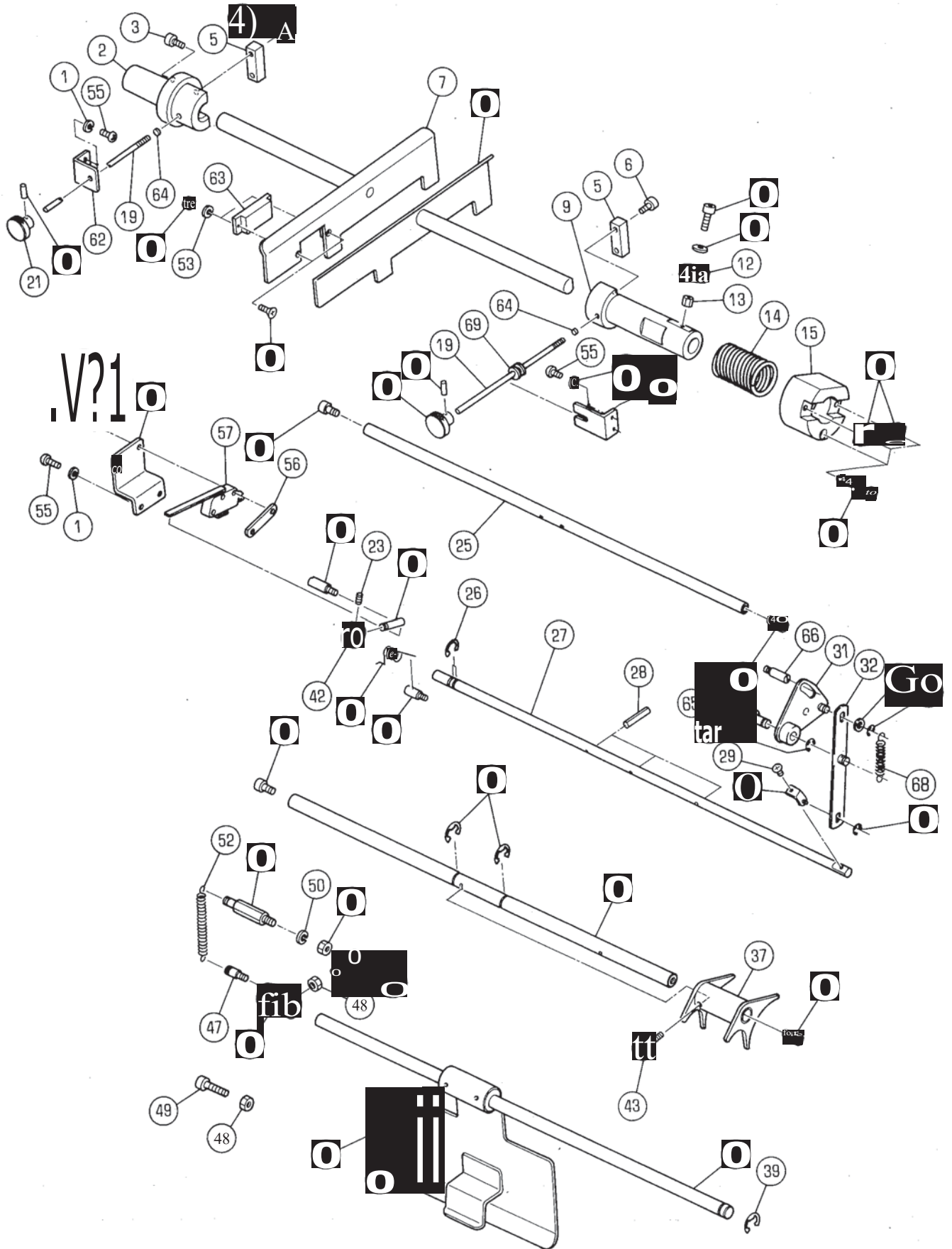
5341G 890

SECTION

\*con,11(1\*ATubALTI-tA.OT, -t.y1-4\*T;±30-TTI.,,,

Note: When ordering items marked\*, indicate the set number because they are available only as a set.

NO.	SET NO. / PART NO.	COMPONENT PARTS NO.	PART NAME	Q'ty
60	5300 59 565-1	A7°9D9"	SPRING	1
61	5290 82 162	\$5114	BUSHING	1
62	5290 88 190	4%a	GEAR	1
63	5290 37 614		GEAR	1
64	9410302008	A7°9D2"t °D 3X20	SPRING PIN 3X20	1
65	5341 88 135	AINO	SPACER	1
66	5330 88 111	7""vh	BRACKET	1
67	9670064508	9 F1"11,F M6X45	SOCKET BOLT M6X45	4
68	5290 88 134	95v1	CLUTCH	1
69	5290 37 814	A7°9D9"	SPRING	1
70	5296 88 161	ADF"llaliD9/ (7-f*"9-)	HANDLE BODY (IVORY)	1
70	5310 88 161	ADFNDtD91 (9o)	HANDLE BODY (BLACK)	1
71	5300 37 820	A:if-ND (7-wg-)	HANDLE (IVORY)	1
71	5310 37 820	)w9) (90)	HANDLE (BLACK)	1
72	5300 37 815	7°D-1- (71t"U-)	PLATE (IVORY)	1
72	5310 37 815	'°L'-I' (90	PLATE (BLACK)	1
73	5290 88 170	E) 1/8"	SCREW	1
74	5290 88 133	D1°71.	SHAFT	1
75	5290 37 613		GEAR	1
76	9410302508	A7°1)9"t°) 3X25	SPRING PIN 3X25	1
77	5290 88 194		GEAR	1
78	5290 89 219	\$911,	BUSHING	1
79	5290 88 193	A9VF.%%	STUD	1



-ft" (CD)  
SIDE GUIDE (CD)

SECTION

SECTION NUMBER

53412 892

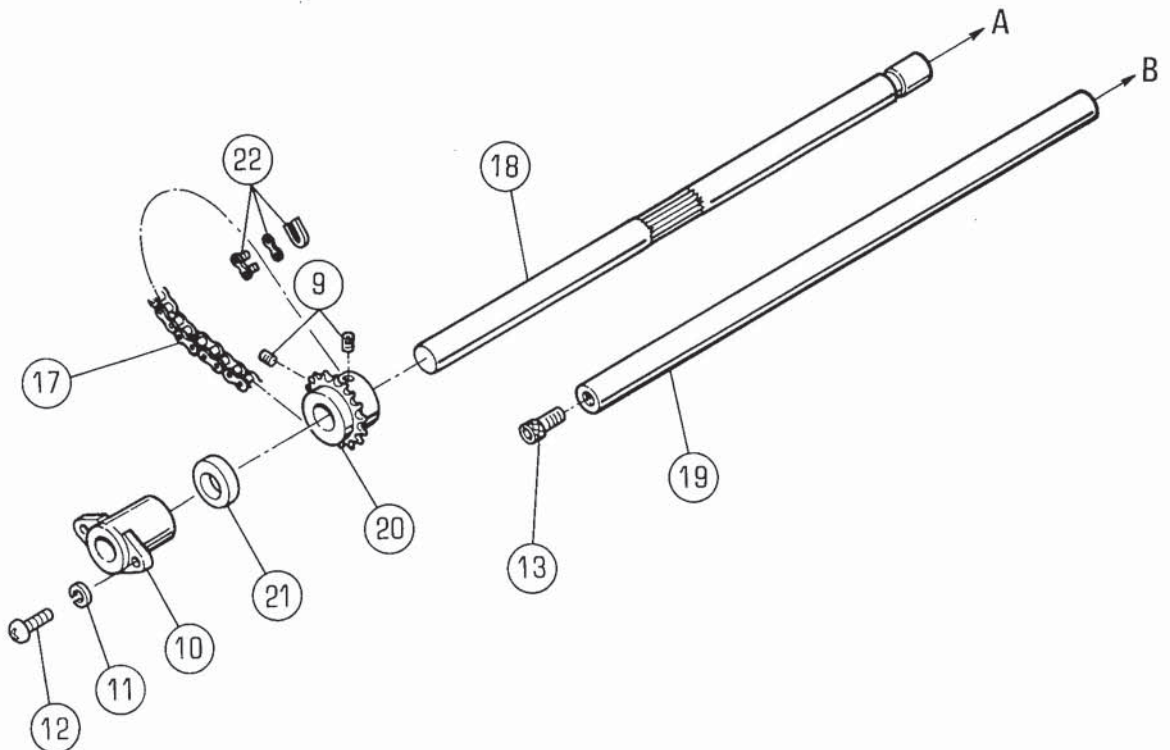
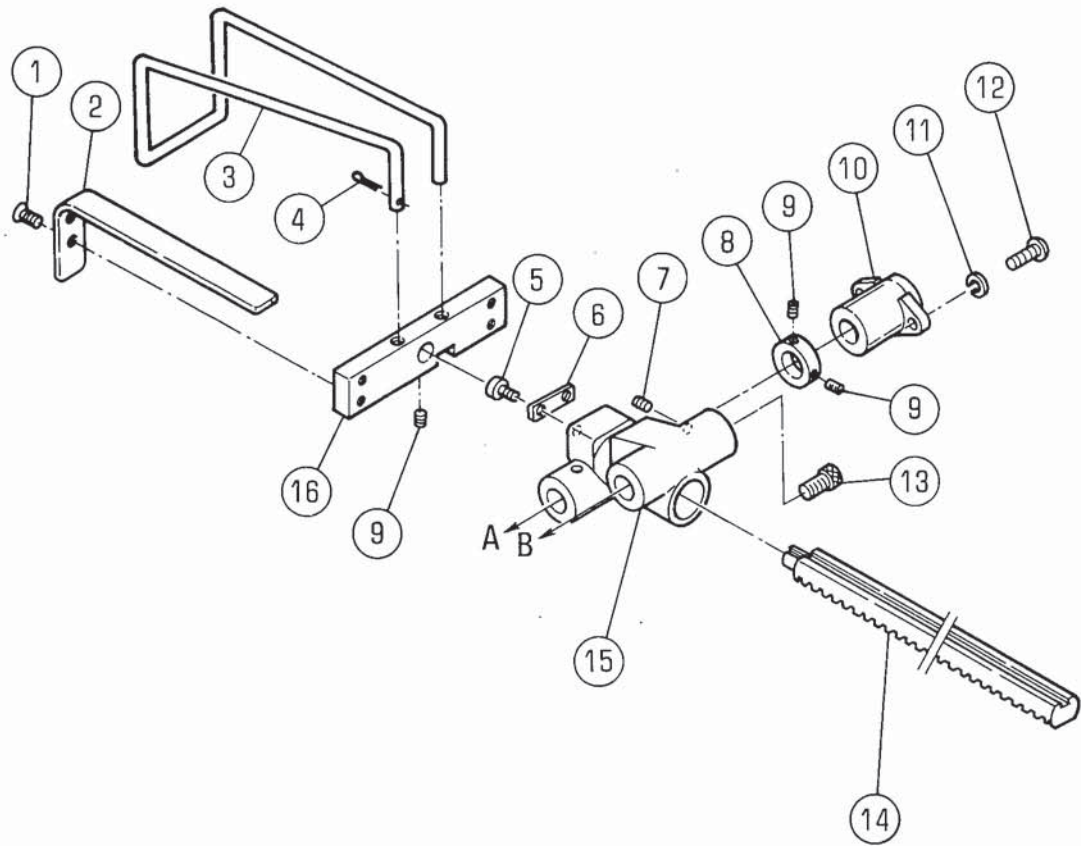
\*:--COgfigitt.Atairrt134 ""C

Note: When ordering items marked\*, indicate the set number because they are available only as a set.

NO.	SET NO. / PART NO.	naft./ <sup>44</sup> ▼▼ COMPONENT PARTS NO.	PART NAME	Aa cvty
	5341 89 270	95D7°711"11/1' ASSY	CLAMP BOLT ASSY	2
		19-21		
1	9710050008	A"V,"/J" M5	SPRING WASHER M5	6
2	5341 89 227		BRACKET	1
3	9670061208	V"hili"11,h M6X12	SOCKET BOLT M6X12	5
5	5341 89 225	h"lh"7"c09	BLOCK	2
6	9670051001	97Vh*NDF M5X10	SOCKET BOLT M5X10	4
7	5341 89 240		SIDE GUIDE	1
8	5341 89 230		SIDE GUIDE	1
9	5341 89 222		BRACKET	1
11	9716060014	t5 h"* M6	PLAIN WASHER M6	1
12	90214	iti"-11)1"79D2" 6000ZZ	BALL BEARING <b>6000ZZ</b>	
13	5341 89 224	AINO_41	SPACER	1
14	5341 89 226	I'IA"*	SPRING	
15	5341 89 221		BUSHING	
16	5341 89 223	At°11,	SPILL	2
17	9670064008	9 F;ti"lilh M6X40	SOCKET BOLT M6X40	3
18	5341 89 251-2	h"IF"	GUIDE	
19	5341 89 271	95D7°t"lilf	BOLT	2
20	9410201608	A7° (17)9"t°;) 2X16	SPRING PIN 2X16	2
21	5341 89 272	/7"	KNOB	2
22	5300 75 112	t°D	PIN	
23	9684050508	l°( E)" M5X5	SET SCREW M5X5	3
24	5290 89 422	*D"	SCREW	1
25	5330 89 411	AT-	STAY	
26	90601	CE-'J.'9" CE-8	CE-RING CE-8	2
27	5341 89 421		BAR	
28	9410302508	A7°U)9"t°D 3X25	SPRING PIN 3X25	3
29	9670041008	V"Ftv"II/F M4X10	SOCKET BOLT M4X10	
30	5341 89 430	Y-L ASSY	ARM ASSY	1
31	5341 89 450	Y-L	ARM	1
32	5341 89 440	YD9	LINK	1
33	9716060008	t5 /3" M6	PLAIN WASHER M6	1
34	9721050008	E-Up9" E-5	E -RING E-5	1
35	9721030008	E.-'W" M3	E -RING M3	1
36	9670061201	9h"Vh*"11,h M6X12	SOCKET BOLT M6X12	2
37	5341 89 410	AFAVA°- ASSY	STRIPPER ASSY	1
38	5341 86 214	AT-	STAY	1
39	9721100008	E-q)9" E-10	E-RING E-10	3

NO.	SET NO. /PART NO.	COMPONENT PARTS NO.	PART NAME	Qty
40	5290 52 422	A7°9:,9"A9VF"	SPRING STUD	1
41	5290 89 423	A7°U:)9"	SPRING	1
42	5300 59 134	F)035-	LOCK COLLAR	1
43	5341 89 413	J7"	KNOB	1
44	5310 89 311	D1'71'	SHAFT	1
45	5310 89 320	7oDhh"-fh"	FRONT GUIDE	1
46	5290 89 323-2	VA	BOSS	1
47	5290 33 122	A?° hD9` `A9Vh"	SPRING STUD	1
48	9660060014	VA' M6	NUT M6	3
49	9670062508	97Vhli"lbh M6X25	SOCKET BOLT M6X25	2
50	9710060008	A"V/"")" M6	SPRING WASHER M6	1
51	5290 89 324	AT'UD"A9Vh"	SPRING STUD	1
52	5290 21 642-2	A7°U)9"	SPRING	1
53	9710030008	ANN V/"13" M3	SPRING WASHER M3	2
54	9660030014	VA' M3	NUT M3	2
55	9642051014	11"3VP% M5X10	SCREW M5X10	6
56	5300 21 424	70 L1-1r	PLATE	1
57	97332	AIV1 D2MV-5L111-IC2	SWITCH D2MV-5L111-IC2	1
58	9648032014	/53*D" M3X20	SCREW M3X20	2
59	5330 61 434	7"57VF	BRACKET	1
60	90644	A ✓ A3	TOOTHED LOCK WASHER A3	2
61	9642031614	,1"3*D" M3X16	SCREW M3X16	2
62	5341 89 252	hU...(1,%%	GUIDE	1
63	96613-1	AIVf E2K-F7MC1-10	SWITCH E2K-F7MC1-10	1
64	5430 35 314		SPACER	2
65	5340 51 047-1	A9VF"	STUD	1
66	5290 52 423-1	t°D	PIN	1
67	9721070008	E- <sup>i</sup> w" E-7	E -RING E-7	1
68	5290 38 141-1	A7°9:)9"	SPRING	1
69	5341 89 253	*1109"-	HOLDER	1





A"V91"11" (CD)  
 BACK GUIDE (CD)

SECTION NUMBER [ 5341Z 895 ]

SECTION  
 \*.lonau\*ATuti.ALTrn-A.am-t y1-\* Ta3zL-rTtso  
 Note: When ordering items marked\*ondicate the set number because they are available only as a set.

SET Na / PART NO.	PART NO.	PART NAME	AR Crty
1 9648051014	<b>/53*D"</b> M5X10	SCREW M5X10	4
2 5340 89 146	<b>A'V9V`w</b>	BACK GUIDE	2
3 5340 89 147-1	<b>A"V9V1h"</b>	BACK GUIDE	1
4 90630	<b>AtV7°t°:</b> , SSP-8	SNAP PIN SSP-8	1
5 9670051001	<b>9 Ft"llih</b> M5X10	SOCKET BOLT M5X10	2
6 5341 89 138		GUIDE PLATE	1
7 9684060608	M6X6	SET SCREW M6X6	1
8 5290 29 314	<b>F.)035-</b>	LOCK COLLAR	1
9 9684050508	<b>F)(*D"</b> M5X5	SET SCREW M5X5	5
10 5290 29 210	)l911/	BUSHING	2
11 9710050008	<b>A"VP`h"</b> M5	SPRING WASHER M5	4
12 9642051614	<b>1"1"3 "</b> M5X16	SCREW M5X16	4
13 9670081608	<b>9"F*NO.</b> M8X16	SOCKET BOLT M8X16	2
14 5290 89 144-1	<b>5V9</b>	RACK	1
15 5341 89 139	<b>5'.99t110"-</b>	RACK HOLDER	1
16 5340 89 145	<b>7"55'9F</b>	BRACKET	1
17 90848	<b>3'1-)</b> RS35-1 47P	CHAIN RS35-1 47P	1
18 5330 89 141	<b>4'V-DV7h</b>	SHAFT	1
19 5310 29 232	<b>AT-</b>	STAY	1
20 5290 89 142	<b>A7°0"1-</b>	SPROCKET	1
21 5341 89 154		SPACER	1
22 90854	<b>D"31(phILD9</b> RS35-1	JOINT LINK RS35-1	1