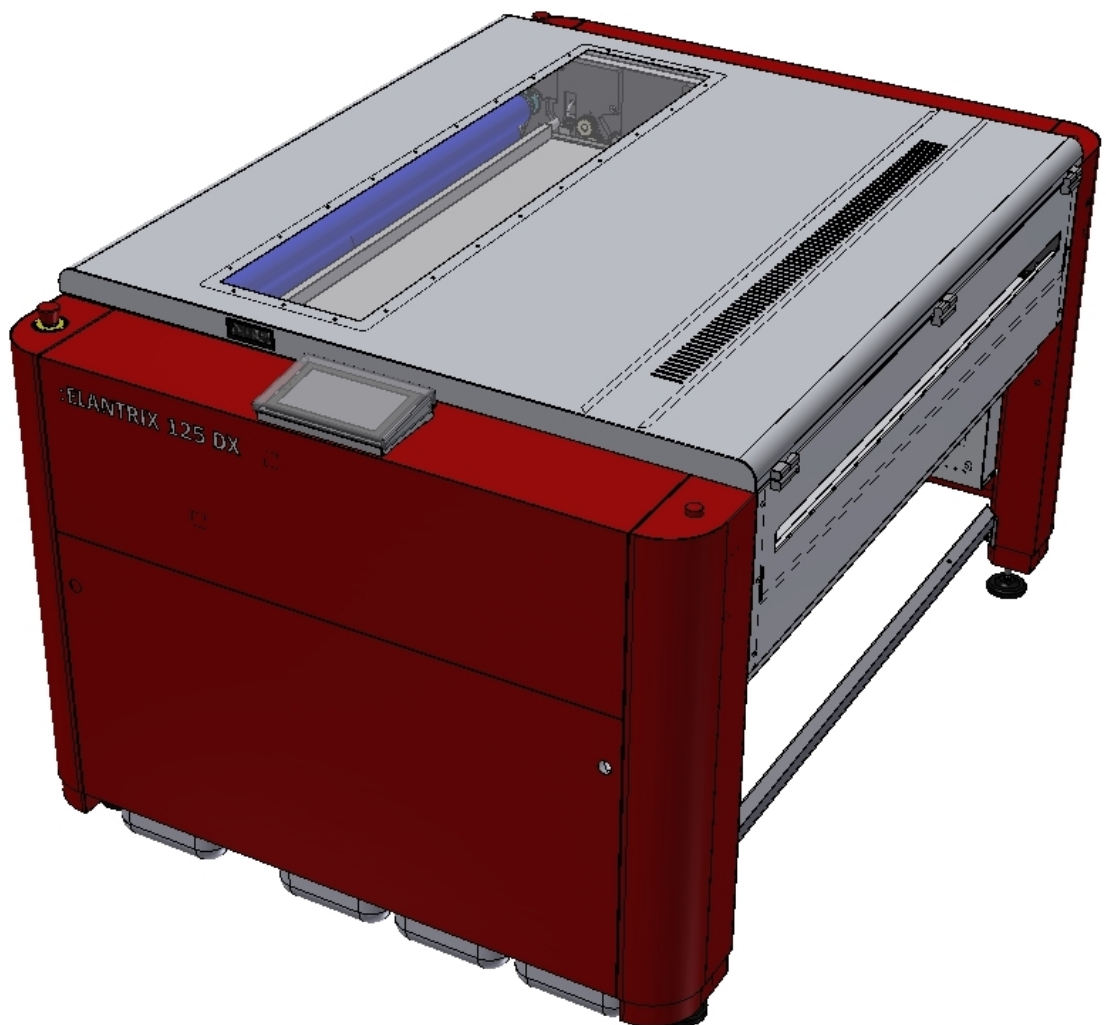


# :ELANTRIX 85 DX – 125 DX – 150 DX Plate Processor

## Spare Parts





**:ELANTRIX DX  
Plate Processor  
Spare Parts**



**TABLE OF CONTENTS**

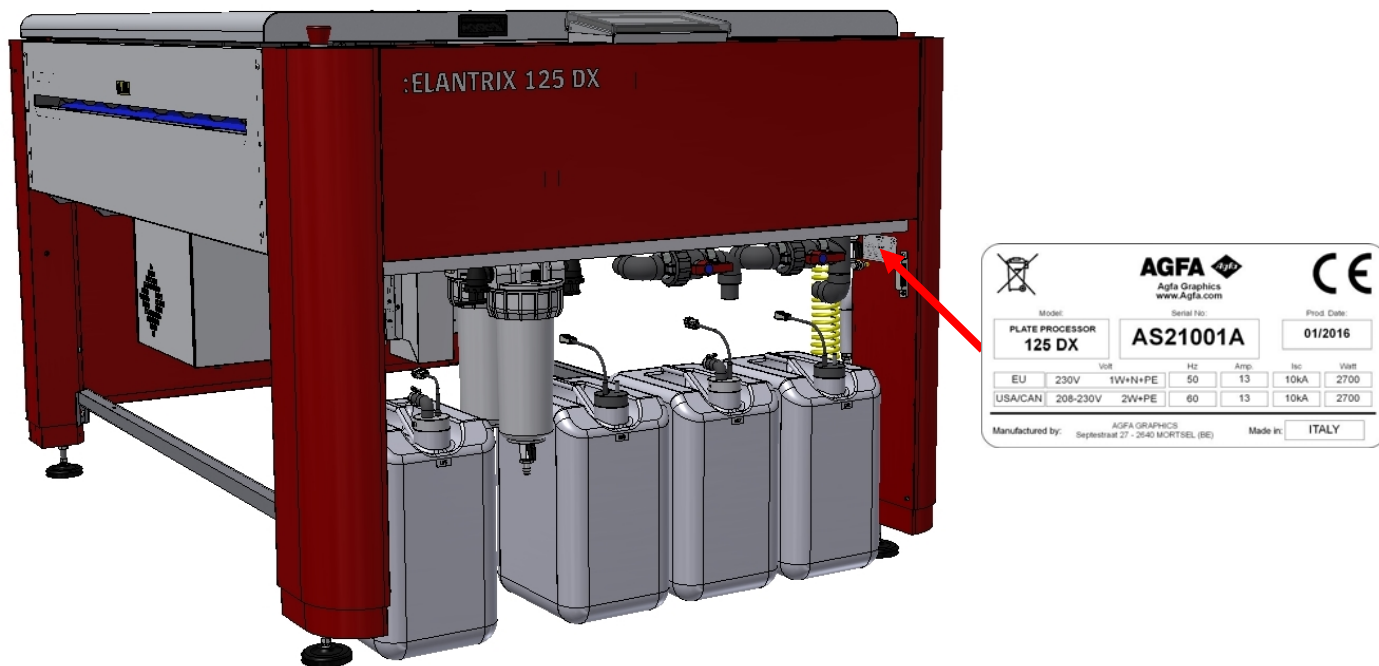
**GENERAL INFORMATION ..... 4**  
**SPARE PARTS LIST ..... 5**  
    **GENERAL..... 5**  
        PARTS DELIVERED.....5  
        ORDERING SPARE PARTS.....5  
        PANELS.....7  
        DEVELOPER SECTION.....9  
        WASH SECTION..... 11  
        GUM SECTION ..... 13  
        DRYER SECTION..... 15  
        DRIVE SIDE ..... 17  
        PUMPS SIDE..... 19  
        BOTTLES PROBE..... 21  
        E-BOX ..... 23

# GENERAL INFORMATION

This manual is valid for:

- :ELANTRIX 85 DX** from serial no **AS41005A**
- :ELANTRIX 125 DX** from serial no **AS21007A**
- :ELANTRIX 150 DX** from serial no **AS31002A**

The serial number is indicated on the nameplates (the arrows show the position on the unit).



The manual has been drawn up and illustrated using the most up-to-date information available at the time of publication. Any differences between the manual and the machine will be due to upgrades after the manual was published. Variations, technical errors or typos will be revised in later editions.

In accordance with our policy of continuous improvement, we reserve the right to modify drawings and specifications without prior warning.

This manual is published by:

AGFA GRAPHICS  
Septestraat 27  
2640 MORTSEL (BE).  
www.agfa.com

---

# **SPARE PARTS LIST**

<h2><b>GENERAL</b></h2>
-------------------------

---

### **PARTS DELIVERED**

Parts delivered are specified on the enclosed packing list.

---

### **ORDERING SPARE PARTS**

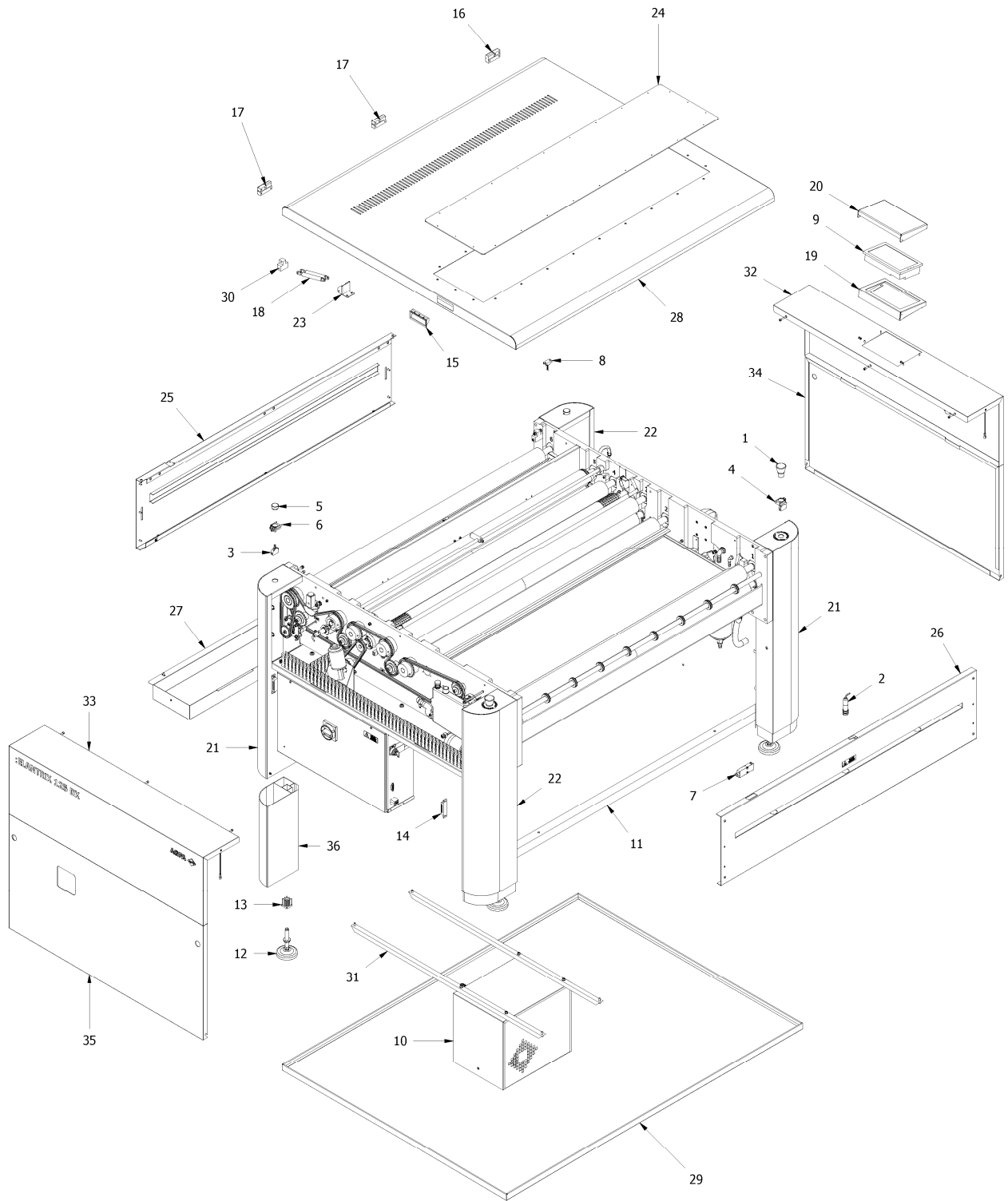
When ordering spare parts, please always mention the complete spare part number, the spare part description and the number of items wanted.



**PANELS**

ELANTRIX DX

ELANTRIX DX\_PANELS

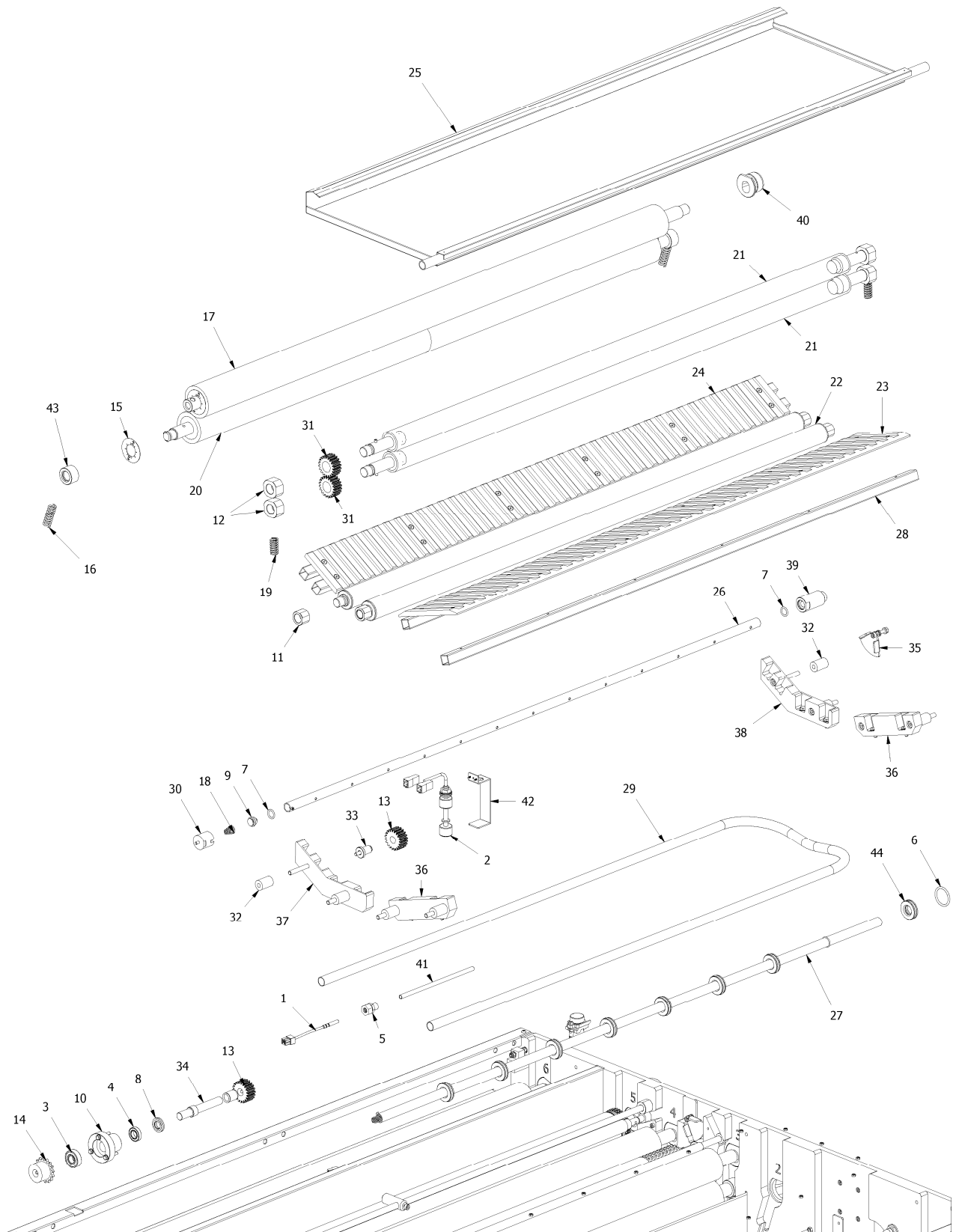


<b>PANELS</b>				
<b>POS</b>	<b>85</b>	<b>125</b>	<b>150</b>	<b>DESCRIPTION</b>
1		LX+000ELE0112		BUTTON, EMERGENCY
2		LX+000ELE0127		OPTICAL SENSOR
3		LX+000ELE0214		LED, RED, 24V
4		LX+000ELE0232		SWITCH
5		LX+000ELE0312		LIGHT, RED
6		LX+000ELE0355		BRACKET, STATUS LIGHT
7		LX+000ELE0544		SAFETY SWITCH, COVER
8		LX+000ELE0545		KEY, SAFETY SWITCH
9		LX+000ELE0736		TOUCH SCREEN, HMI
10		LX+000ELM0086		COOLING UNIT, GS10R
11	LX+000IMB0222	LX+000IMB0212	LX+000IMB0258	LIFT BAR
12		LX+000MEC0011		ADJUSTABLE FEET, M14 D.80
13		LX+000MEC0041		STOPPER, ADJUSTABLE FEET, M14
14		LX+000MEC0135		MAGNET, COVER, SIDE, LOWER
15		LX+000MEC0162		HANDLE, COVER, TOP
16		LX+000MEC0187		HINGE, TOP COVER, RIGHT
17		LX+000MEC0188		HINGE, TOP COVER, LEFT
18	LX+000MEC0253	LX+000MEC0229	LX+000MEC0229	GAS SPRING, 150N-D.6-L.225
19		LX+085AZU0318		FRAME, HMI
20		LX+085AZU0319		COVER, HMI
21		LX+125AZU0010		LEG, RIGHT
22		LX+125AZU0011		LEG, LEFT
23		LX+125AZU0105		SUPPORT, GAS SPRING
24	LX+085HSX0025	LX+125HSX0025	LX+150HSX0025	PANEL, TRANSPARENT
25	LX+085HSX0055	LX+125HSX0055	LX+150HSX0055	COVER, REAR
26	LX+085HSX0060	LX+125HSX0060	LX+150HSX0060	COVER, FRONT
27	LX+085HSX0065	LX+125HSX0065	LX+150HSX0065	COVER, REAR, LOWER
28	LX+085HSX0070	LX+125HSX0070	LX+150HSX0070	COVER, TOP
29		LX+125SVL0527		DRIP TRAY, SX – DX 125
30		LX+150HSX0020		BRACKET, GAS SPRING
31		LX+150HSX0069		SUPPORT, COOLING UNIT
32		LX+150HSX0090		SIDE COVER, HMI
33		LX+150HSX0091		SIDE COVER
34		LX+150HSX0092		COVER, LOWER
35		LX+150HSX0093		COVER, LOWER, E-BOX
36		LX+150SVL0535		LEG, TELESCOPIC

DEVELOPER SECTION

ELANTRIX DX

DEVELOPER SECTION

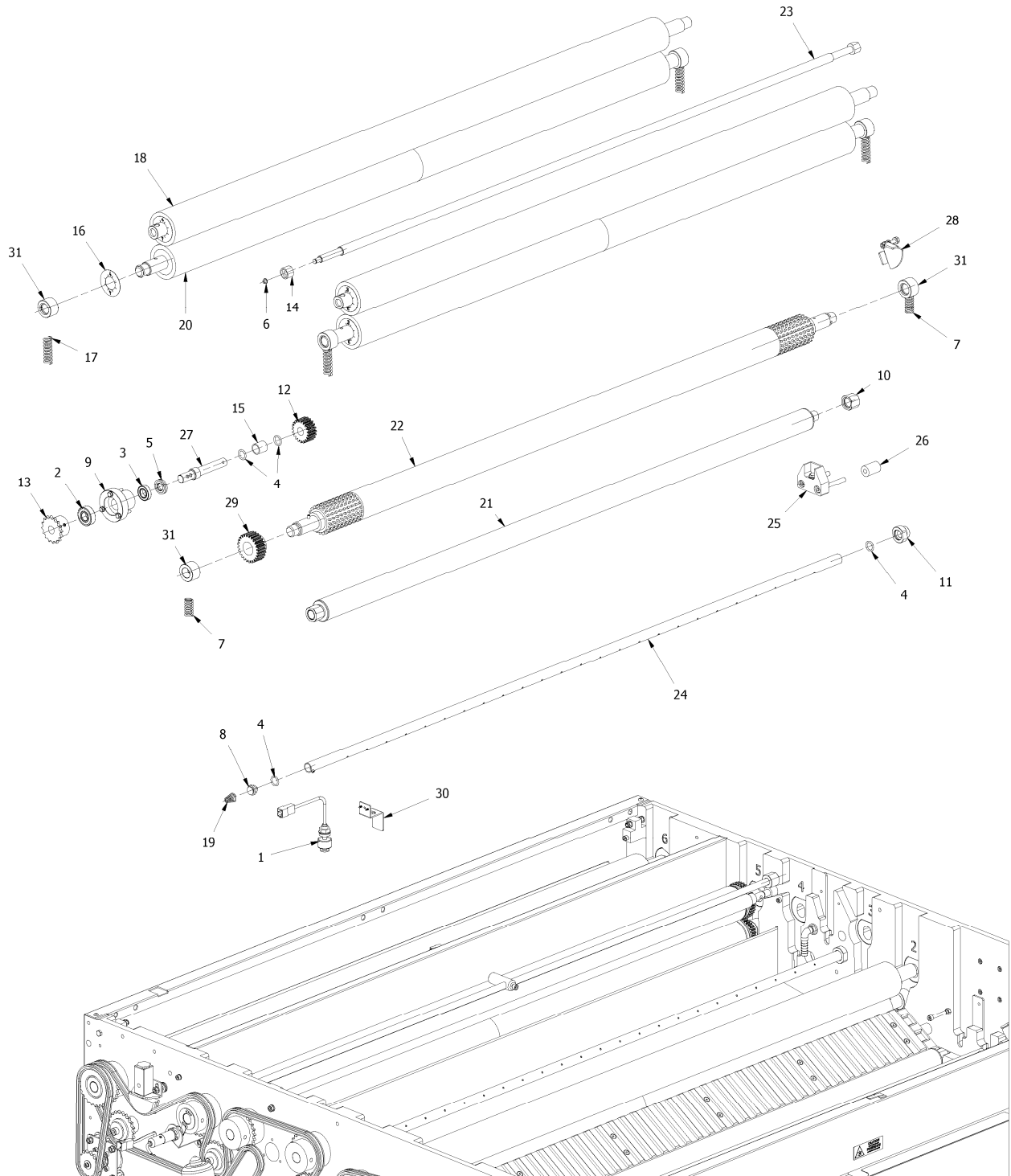


<b>DEVELOPER SECTION</b>				
<b>POS</b>	<b>85</b>	<b>125</b>	<b>150</b>	<b>DESCRIPTION</b>
1		LX+000ELE0435		SENSOR, TEMPERATURE PT100
2		LX+000ELE0517		LEVEL SENSOR
3		LX+000MEC0184		BEARING, W 6202-2RS
4		LX+000MEC0226		BEARING, 61902-2RS
5		LX+000RAC0221		FITTING
6		LX+000RAC0266		O-RING, SILICON, D.40
7		LX+000RAC0276		O-RING, D13.94X2.62
8		LX+000VIT0177		WASHER
9		LX+085AZU0322		STOPPER, SPRAY BAR
10		LX+085AZU0331		SUPPORT, BEARING, BRUSH
11		LX+085AZU0349		BEARING, ROLLER, GUIDE PLATE, BRUSH
12		LX+085AZU0376		PLASTIC BEARING
13		LX+085VCF0019		GEAR Z.20 M2
14		LX+085VCF0040		SPROCKET Z.16 3/8"
15		LX+085VCF0458		DISC NUMBERING, ROLLER, 2
16		LX+085VCF0465		SPRING, D.15.7, L.49.5
17	LX+085AZU0013	LX+125AZU0013	LX+150HSX0009	RUBBER ROLLER UPPER
18		LX+125AZU0054		SPRING, CONE
19		LX+125AZU0107		SPRING, D.16, L.30
20	LX+085VCF0007	LX+125AZU0111	LX+150HSX0008	RUBBER ROLLER, LOWER
21	LX+085HSX0005	LX+125HSX0005	LX+150HSX0005	DEV. SECTION, CENTER RUBBER ROLLER
22	LX+085HSX0006	LX+125HSX0006	LX+150HSX0006	ROLLER, GUIDE PLATE, BRUSH
23	LX+085HSX0015	LX+125HSX0015	LX+150HSX0015	PLATE GUIDE, FRONT
24	LX+085HSX0016	LX+125HSX0016	LX+150HSX0016	PLATE SUPPORT, REAR
25	LX+085HSX0048	LX+125HSX0048	LX+150HSX0048	COVER, DEV. TANK
26	LX+085HSX0056	LX+125HSX0056	LX+150HSX0056	SPRAY BAR, DEV. SECTION
27	LX+085HSX0061	LX+125HSX0061	LX+150HSX0061	TUBE INOX, D.18
28	LX+085HSX0071	LX+125HSX0071	LX+150HSX0071	TUBE, PLATE GUIDE SUPPORT
29	LX+085HSX0077	LX+125HSX0077	LX+150HSX0077	COOLING TUBE
30		LX+150HSX0011		SUPPORT, SPRING, SPRY BAR
31		LX+150HSX0013		GEAR Z.20 M2
32		LX+150HSX0014		SPACER, SUPPORT, WASH
33		LX+150HSX0030		SHAFT
34		LX+150HSX0031		SHAFT
35		LX+150HSX0038		HANDLE, QUICK RELEASE, BRUSH
36		LX+150HSX0039		SUPPORT, PLATE GUIDE, FRONT
37		LX+150HSX0040		SUPPORT, ROLLER BRUSH, LEFT
38		LX+150HSX0041		SUPPORT, ROLLER BRUSH, RIGHT
39		LX+150HSX0047		COUPLING, SPRAY BAR
40		LX+150SVL0026		BEARING, ROLLER TOP
41		LX+150SVL0173		TUBE, TEMPERATURE SENSOR
42		LX+150SVL0187		BRACKET LEVEL SENSOR
43		LX+150SVL0531		BEARING, ROLLER, LOWER
44		LX+150SVL0537		PLASTIC, WHEEL

WASH SECTION

ELANTRIX DX

WASH SECTION



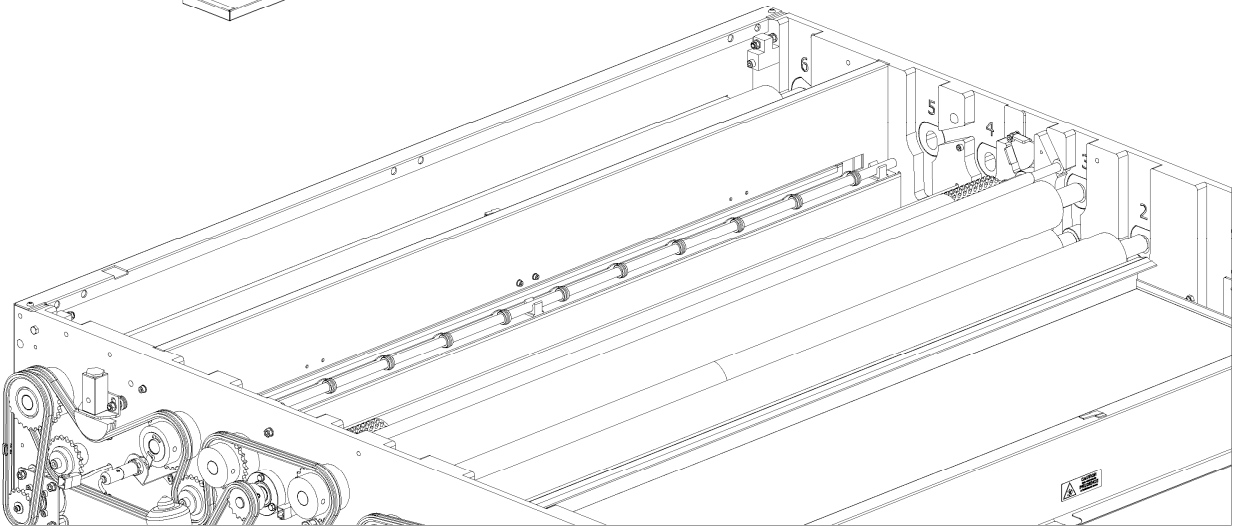
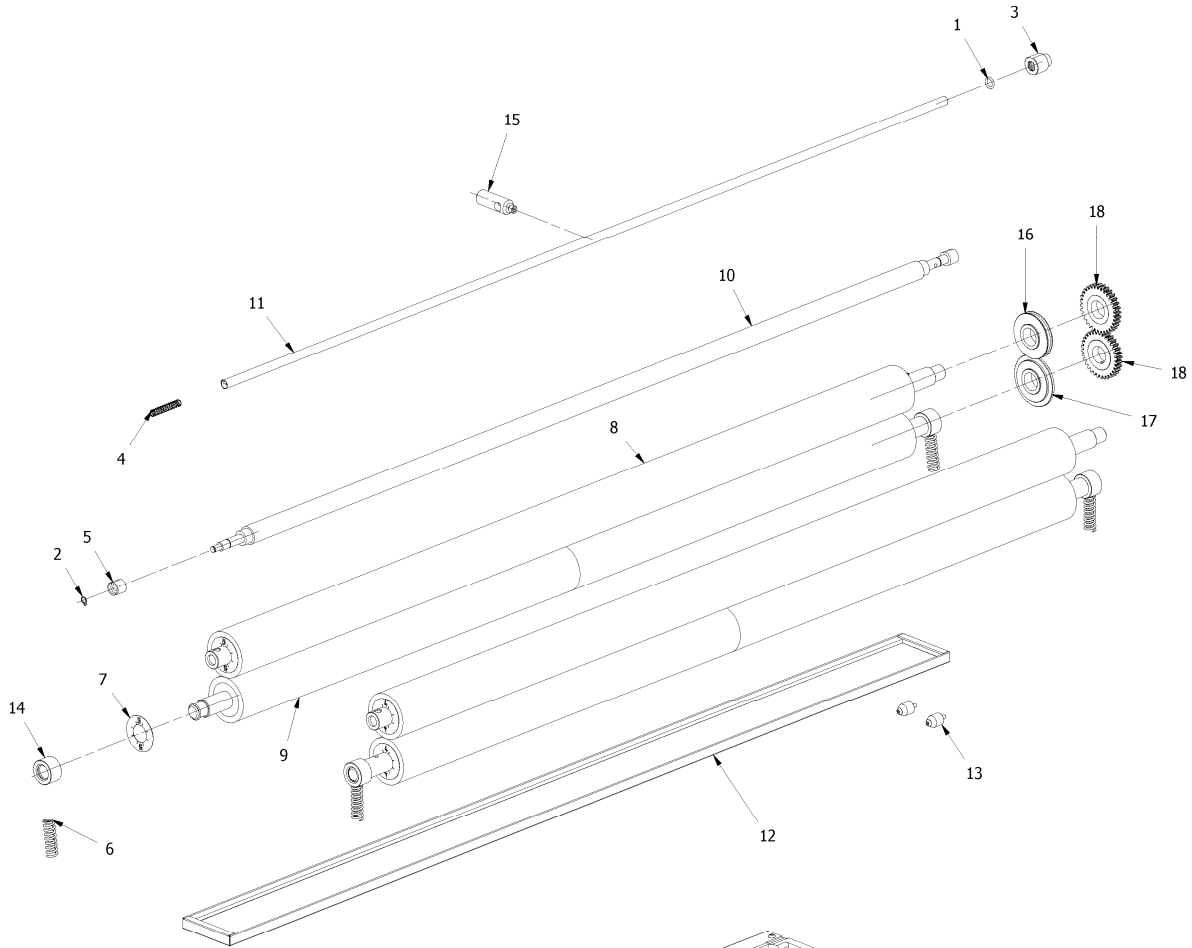
**WASH SECTION**

POS	85	125	150	DESCRIPTION
1		LX+000ELE0428		LEVEL SENSOR
2		LX+000MEC0184		BEARING, W 6202-2RS
3		LX+000MEC0226		BEARING, 61902-2RS
4		LX+000RAC0276		O-RING, D13.94X2.62
5		LX+000VIT0177		WASHER
6		LX+000VIT0249		SEEGER, D.8
7		LX+085AZU0107		SPRING, D.15.6 L.32
8		LX+085AZU0322		STOPPER, SPRAY BAR
9		LX+085AZU0331		SUPPORT, BEARING, BRUSH
10		LX+085AZU0349		BEARING, ROLLER, GUIDE PLATE, BRUSH
11		LX+085AZU0375		COUPLING, SPRAY BAR
12		LX+085VCF0019		GEAR Z.20 M2
13		LX+085VCF0040		SPROCKET Z.16 3/8"
14		LX+085VCF0098		BEARING, APPLICATION ROLLER
15		LX+085VCF0173		SPACER
16		LX+085VCF0462		DISC NUMBERING, ROLLER, 4
17		LX+085VCF0465		SPRING, D.15.7 L.49.5
18	LX+085AZU0013	LX+125AZU0013	LX+150HSX0009	RUBBER ROLLER UPPER
19		LX+125AZU0054		SPRING, CONE
20	LX+085VCF0007	LX+125AZU0111	LX+150HSX0008	RUBBER ROLLER, LOWER
21	LX+085HSX0006	LX+125HSX0006	LX+150HSX0006	ROLLER, GUIDE PLATE, BRUSH
22	LX+085HSX0007	LX+125HSX0007	LX+150HSX0007	BRUSH
23	LX+085HSX0057	LX+125HSX0057	LX+150HSX0057	SQUEEZE ROLLER
24	LX+085HSX0058	LX+125HSX0058	LX+150HSX0058	SPRAY BAR, WASH
25		LX+150HSX0012		SUPPORT, BRUSH ROLLER, WASH
26		LX+150HSX0014		SPACER, SUPPORT, WASH
27		LX+150HSX0031		SHAFT
28		LX+150HSX0038		HANDLE, QUICK RELEASE, BRUSH
29		LX+150SVL0030		GEAR, Z.25, M.2
30		LX+150SVL0188		SUPPORT, LEVEL SENSOR
31		LX+150SVL0531		BEARING, ROLLER, LOWER

**GUM SECTION**

ELANTRIX 125DX\_Gum Sections

GUM SECTION



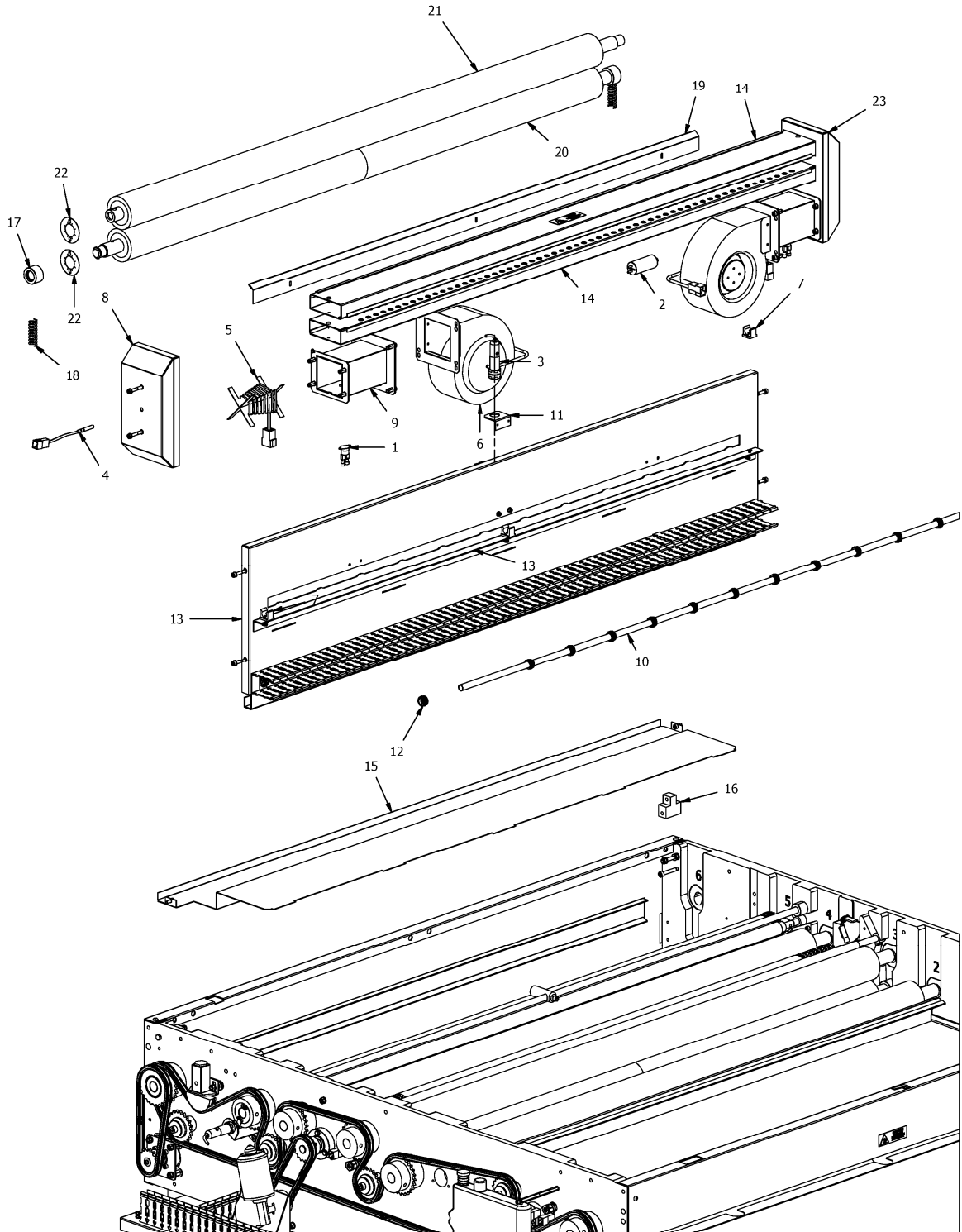
**GUM SECTION**

<b>POS</b>	<b>85</b>	<b>125</b>	<b>150</b>	<b>DESCRIPTION</b>
<b>1</b>		LX+000RAC0037		O-RING, 3043
<b>2</b>		LX+000VIT0249		SEEGER, D.8
<b>3</b>		LX+085VCF0020		COUPLING, SPRAY BAR
<b>4</b>		LX+065AZR0168		SPRING, D.9.8 L.50
<b>5</b>		LX+085VCF0098		BEARING, APPLICATION ROLLER
<b>6</b>		LX+085VCF0465		SPRING, D.15.7 L.49.5
<b>7</b>		LX+085VCF0466		DISC NUMBERING, ROLLER, 5
<b>8</b>	LX+085AZU0013	LX+125AZU0013	LX+150HSX0009	RUBBER ROLLER, UPPER
<b>9</b>	LX+085VCF0007	LX+125AZU0111	LX+150HSX0008	RUBBER ROLLER, LOWER
<b>10</b>	LX+085VCF0144	LX+125HSX0035	LX+150HSX0035	APPLICATION ROLLER
<b>11</b>	LX+085HSX0059	LX+125HSX0059	LX+150HSX0059	SPRY BAR, GUM
<b>12</b>	LX+085HSX0076	LX+125HSX0076	LX+150HSX0076	GUTTERED, GUM TANK
<b>13</b>		LX+150SVL0022		SPACER
<b>14</b>		LX+150SVL0531		BEARING, ROLLER, LOWER
<b>15</b>		LX+150HSX0126		NOZZLE, SPRAY BAR GUM
<b>16</b>		LX+095AZR0126		GUIDE WHEEL, TOP
<b>17</b>		LX+095AZR0127		GUIDE WHEEL, BOTTOM
<b>18</b>		LX+095AZR0130		GEAR, Z.32 M2

DRYER SECTION

ELANTRIX DX

DRYER SECTION



**DRYER SECTION**

<b>POS</b>	<b>85</b>	<b>125</b>	<b>150</b>	<b>DESCRIPTION</b>
<b>1</b>		LX+000ELE0088		THERMAL CUT-OFF, PREHEAT
<b>2</b>		LX+000ELE0096		CAPACITOR
<b>3</b>		LX+000ELE0127		OPTICAL SENSOR
<b>4</b>		LX+000ELE0435		SENSOR, TEMPERATURE PT100
<b>5</b>		LX+000ELE0906		HEATING ELEMENT, 800 W
<b>6</b>		LX+000ELM0085		DRYER FAN, ECOFIT 2GREu15
<b>7</b>		LX+000RAC0292		CLIP, PLATE SUPPORT GUIDE
<b>8</b>		LX+085AZU0388		HEATER MANIFOLD, LEFT
<b>9</b>		LX+085AZU0391		TUBE ELEMENT, DRYER
<b>10</b>	LX+085AZU0047	LX+125AZU0047	LX+150HSX0051	TUBE D.12
<b>11</b>		LX+125AZU0051		SUPPORT, OPTICAL SENSOR
<b>12</b>		LX+125AZU0085		WHEEL, D.20mm
<b>13</b>	LX+085HSX0050	LX+125HSX0050	LX+150HSX0050	COVER, DRYER SECTION
<b>14</b>	LX+085HSX0052	LX+125HSX0052	LX+150HSX0052	AIR TUBE, DRYER SECTION
<b>15</b>	LX+085HSX0053	LX+125HSX0053	LX+150HSX0053	PROTECTION COVER, DRYER SECTION
<b>16</b>		LX+150HSX0020		BRACKET, GAS SPRING
<b>17</b>		LX+150SVL0531		BEARING, ROLLER, LOWER
<b>18</b>		LX+085VCF0465		SPRING, D.15.7 L.49.5
<b>19</b>	LX+085HSX0120	LX+125HSX0120	LX+150HSX0120	PLATE GUIDE, DRYER
<b>20</b>	LX+085VCF0007	LX+125AZU0111	LX+150HSX0008	RUBBER ROLLER, LOWER
<b>21</b>	LX+085AZU0013	LX+125AZU0013	LX+150HSX0009	RUBBER ROLLER, UPPER
<b>22</b>		LX+085VCF0467		DISC NUMBERING, ROLLER, 6
<b>23</b>		LX+085AZU0389		HEATER MANIFOLD, RIGHT



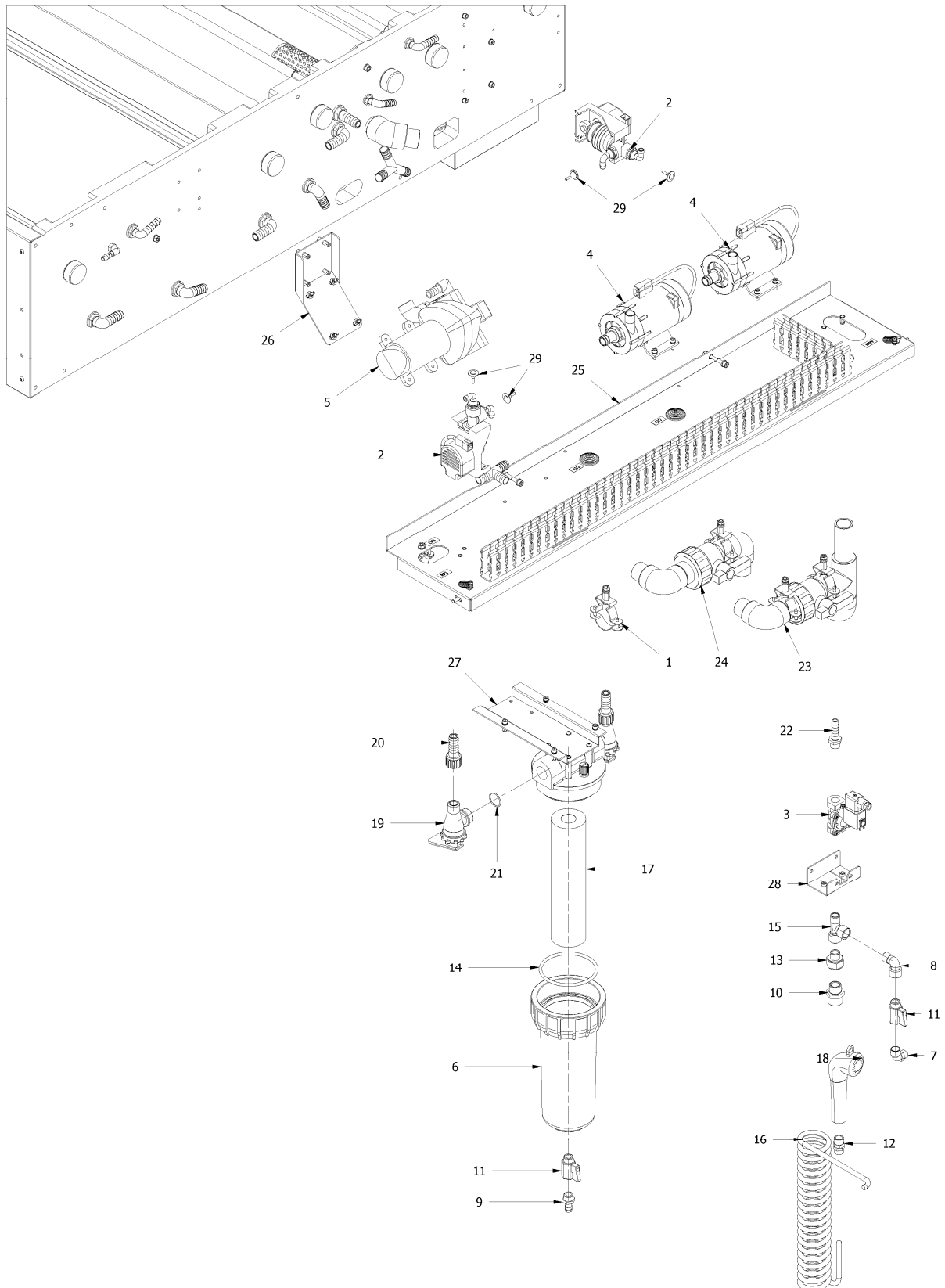
**DRIVE SIDE**

<b>POS</b>	<b>85</b>	<b>125</b>	<b>150</b>	<b>DESCRIPTION</b>
1		LX+000ELE0033		ENCODER WHEEL
2		LX+000ELE0127		OPTICAL SENSOR
3		LX+000ELE0565		ENCODER
4		LX+000ELM0079		DRIVE MOTOR, P52/3 R.1/181
5		LX+000ELM0099		PUMP, PMD L 0531
6		LX+000ELM0132		MOTOR, 24DC, 50RPM
7		LX+000MEC0019		IDLE SPROCKET Z.21
8		LX+000MEC0104		CHAIN TENSIONER
9		LX+000MEC0184		BEARING, W 6202-2RS
10		LX+000MEC0221		BEARING, W 61904-2RS
11		LX+000MEC0226		BEARING 61902-2RS
12		LX+000RAC0041		REFRIGERATOR TANK
13		LX+000VIT0157		WASHER
14		LX+000VIT0177		WASHER
15		LX+000VIT0316		LOCKNUT, M5
16		LX+065SVL0012		SUPPORT, ENCODER
17		LX+085AZU0324		SUPPORT, BEARING
18		LX+085AZU0331		SUPPORT, BEARING, BRUSH
19		LX+085AZU0406		SCREW
20		LX+085VCF0019		GEAR Z.20 M2
21		LX+085VCF0040		SPROCKET Z.16 3/8"
22		LX+090SVL0035		SPROCKET Z.25 3/8"
23		LX+125AZU0035		DRIVE SHAFT, RUBBER ROLLER
24		LX+125AZU0036		PIN, QUICK RELEASE
25		LX+125AZU0037		COLLAR, QUICK RELEASE
26		LX+125AZU0056		SPRING
27		LX+125AZU0071		FLAG, ROTATION MAIN DRIVE
28		LX+125AZU0231		SUPPORT, ROLLER POSITION SENSOR
29		LX+150HSX0031		SHAFT
30		LX+150HSX0033		SPROCKET, Z.20, P.3/8"
31		LX+150HSX0063		SUPPORT, LEFT SIDE
32		LX+150HSX0067		BRACKET, BRUSH MOTOR
33		LX+150SVL0021		SPACER RING, DRIVE
34		LX+150SVL0024		SHAFT, IDLE SPROCKET
35		LX+150SVL0129		SUPPORT, DRIVE MOTOR
36		LX+150SVL0146		SPROCKET Z.16 3/8"
37		LX+150SVL0154		SPROCKET, DOUBLE Z.25 P.3/8"
38		LX+000ELE0046		CARBON BRUSH, DRIVE MOTOR
39		LX+000VIT0277		SCREW
40		LX+000MEC0022		CHAIN SPLIT LINK, P.3/8"
41		LX+000MEC0234		CHAIN, RUBBER ROLLERS
42		LX+000MEC0235		CHAIN, DRIVE MOTOR
43		LX+000MEC0236		CHAIN, BRUSH MOTOR

**PUMPS SIDE**

ELANTRIX DX

PUMPS SIDE



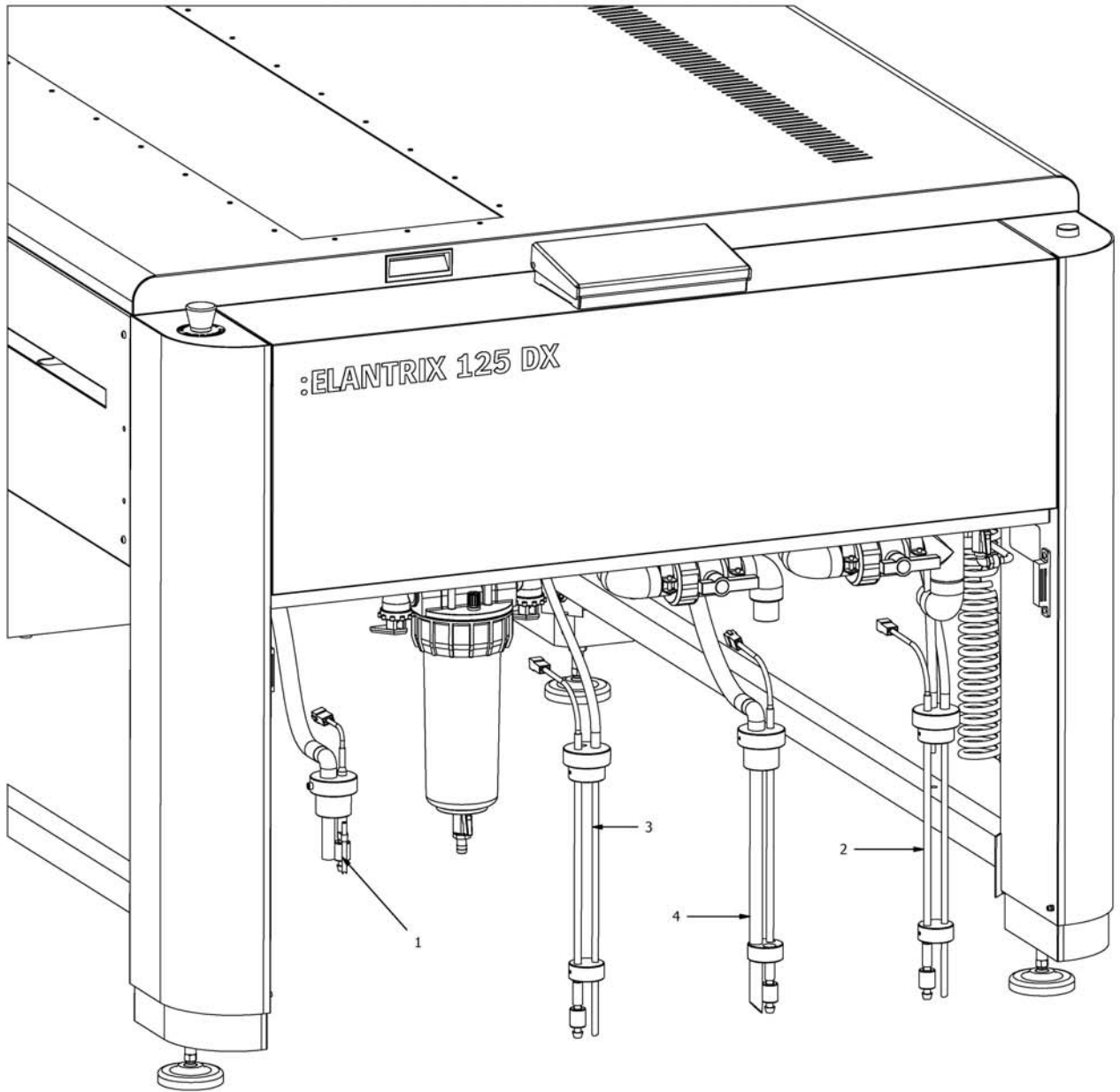
**PUMPS SIDE**

<b>POS</b>	<b>85</b>	<b>125</b>	<b>150</b>	<b>DESCRIPTION</b>
1		LX+000ELE0308		BRACKET
2		LX+000ELM0069		BELLOWS PUMP, 16504, 1-1/2"
3		LX+000ELM0094		SOLENOID VALVE
4		LX+000ELM0100		PUMP, PMD L371G
5		LX+000ELM0149		FILL PUMP, 24 VDC
6		LX+000RAC0015		FILTER HOUSING
7		LX+000RAC0057		FITTING, 1500, 10-8 3/8"
8		LX+000RAC0058		FITTING, 2020, 3/8"
9		LX+000RAC0062		HOSE TAIL, 3/8"X12
10		LX+000RAC0065		FITTING, 2510, 1/2" - 3/8"
11		LX+000RAC0070		VALVE, 3/8", M-F
12		LX+000RAC0073		FITTING, 1510, 10-8 3/8"
13		LX+000RAC0095		FITTING, 2520, 3/8" - 1/2"
14		LX+000RAC0138		O-RING, FILTER
15		LX+000RAC0163		FITTING, 2070, 3/8"
16		LX+000RAC0210		SPIRAL TUBE, D.8, RILSAN
17		LX+000RAC0211		FILTER, 75 MICRON, COTTON
18		LX+000RAC0217		HAND SHOWER
19		LX+000RAC0222		VALVE, 3/8"
20		LX+000RAC0223		HOUSE TAIL, 1/2"X16, FEMALE
21		LX+000RAC0226		O-RING, 0230
22		LX+000RAC0278		HOUSE TAIL, 3/8"X12
23		LX+125HSX1006		DRAIN VALVE, WASH, ASS.
24		LX+125HSX1007		DRAIN VALVE, DEVELOPER, ASS.
25		LX+150HSX0064		SUPPORT, PUMPS
26		LX+150HSX0066		SUPPORT, PUMP, MEMBRANE
27		LX+150HSX0075		SUPPORT, FILTER
28		LX+150SVL0061		SUPPORT, SOLENOID VALVE
29		LX+000RAC0343		KIT POPPET VALVES + O-RINGS

**BOTTLES PROBE**

ELANTRIX 125DX\_Bottles probe

BOTTLES PROBE



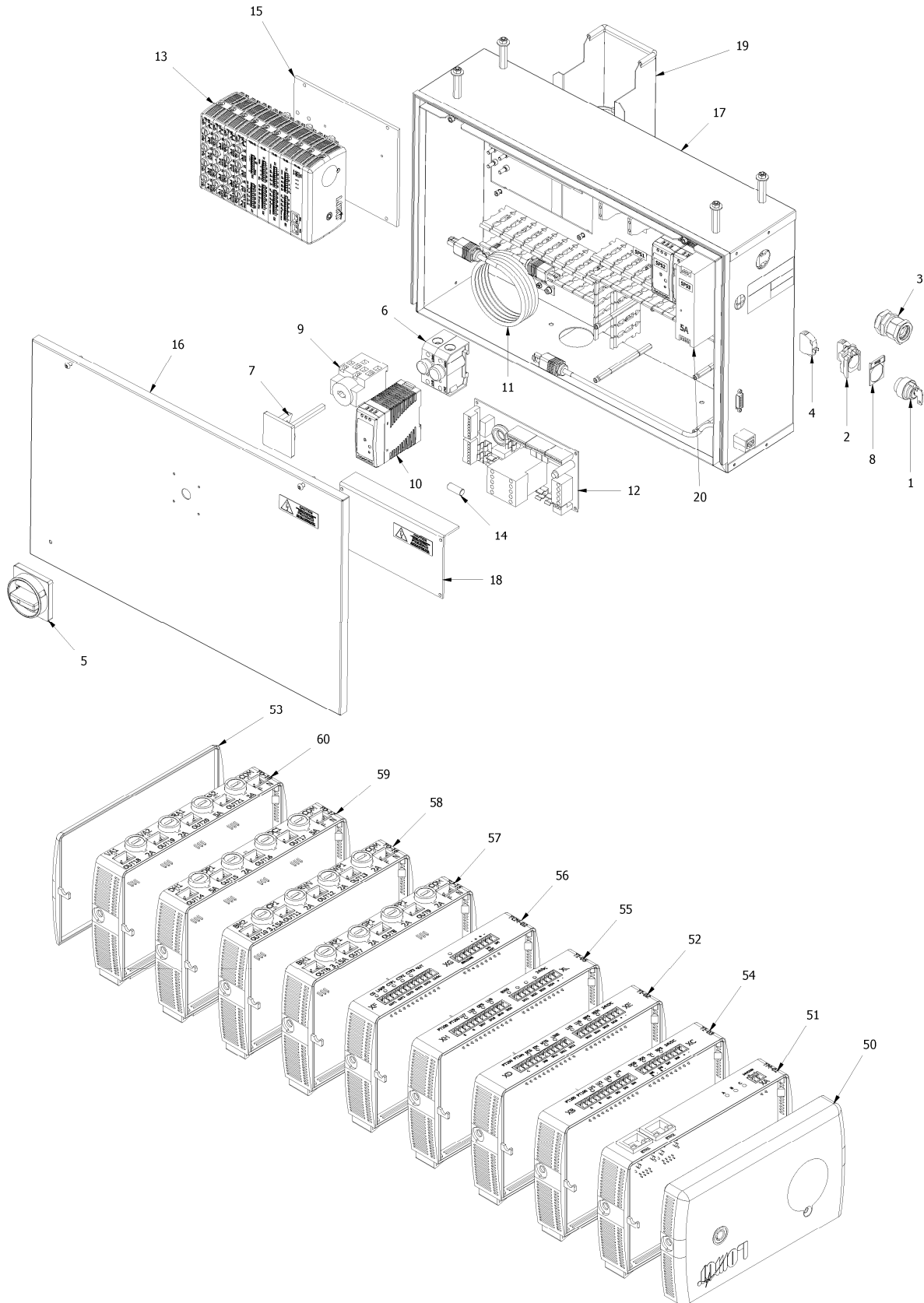
**BOTTLES PROBE**

<b>POS</b>	<b>85</b>	<b>125</b>	<b>150</b>	<b>DESCRIPTION</b>
<b>1</b>		LX+125HSX1002		OVERFLOW BOTTLE PROBE
<b>2</b>		LX+125HSX1003		GUM BOTTLE PROBE
<b>3</b>		LX+125HSX1004		REPLENISH BOTTLE PROBE
<b>4</b>		LX+125HSX1005		FILL BOTTLE PROBE

**E-BOX**

ELANTRIX DX

E - BOX



**E-BOX**

<b>POS</b>	<b>85</b>	<b>125</b>	<b>150</b>	<b>DESCRIPTION</b>
1		LX+000ELE0081		SERVICE KEY
2		LX+000ELE0099		CONTACT, OPEN
3		LX+000ELE0100		CABLE GLAND, PG21
4		LX+000ELE0280		CONTACT, CLOSE
5		LX+000ELE0524		MAINS SWITCH, HANDLE
6		LX+000ELE0525		THERMINAL BLOCK, FUSED, SAKS4/35
7		LX+000ELE0584		MAINS SWITCH, DRIVE SHAFT
8		LX+000ELE0590		LABLE, HAND
9		LX+000ELE0675		MAINS SWITCH, CONCTACT
10		LX+000ELE0737		POWER SWITCHING 60W
11		LX+000ELE0761		ETHERNET CABLE, 5 mt.
12		LX+000ELE0771		POWER SUPPLY, MAINS RELE
13		LX+000ELE0915		PLC, ELANTRIX DX
14		LX+085VCF0138		JUMPER, POWER SUPPLY BOARD
15		LX+085VCF0140		HEAT SINK, PLC
16		LX+125AZU0061		DOOR, E-BOX
17		LX+125AZU0064		FRAME, E-BOX
18		LX+125AZU0065		COVER, POWER SUPPLY BOARD
19		LX+125AZU0142		CHANNEL, WIRINGS
20		LX+000ELE0745		POWER SWITCHING 5A

**PLC**

<b>POS</b>		<b>DESCRIPTION</b>
50	LX+000ELE0750	COVER BATTERY
51	LX+000ELE0751	BOARD CPU
52	LX+000ELE0753	BOARD INPUT TI 02
53	LX+000ELE0760	COVER
54	LX+000ELE0762	BOARD INPUT TI 03
55	LX+000ELE0857	BOARD INPUT TI 05
56	LX+000ELE0859	BOARD INPUT DRIVE MOTOR TCM 02
57	LX+000ELE0918	BOARD OUTPUT TO 15
58	LX+000ELE0919	BOARD OUTPUT TO 16
59	LX+000ELE0920	BOARD OUTPUT TO 17
60	LX+000ELE0921	BOARD OUTPUT TO 18