

**:ELANTRIX 95 SX – 125 SX – 150 SX  
Plate Processor  
Spare Parts**



**TABLE OF CONTENTS**

**GENERAL INFORMATION ..... 4**

**SPARE PARTS LIST ..... 5**

**GENERAL..... 5**

        PARTS DELIVERED.....5

        ORDERING SPARE PARTS.....5

        PANELS.....6

        LEFT SIDE.....8

        RIGHT SIDE ..... 10

        DEVELOPER SECTION..... 12

        DEVELOPER PLATE GUIDE..... 14

        WASH SECTION..... 16

        GUM SECTION ..... 18

        DRYER SECTION..... 20

        DRIVE SYSTEM ..... 22

        E-BOX ..... 24

# GENERAL INFORMATION

This manual is valid for:

- :ELANTRIX 95 SX** from serial no
- :ELANTRIX 125 SX** from serial no
- :ELANTRIX 150 SX** from serial no

The serial number is indicated on the nameplates (the arrows show the position on the modules).



The manual has been drawn up and illustrated using the most up-to-date information available at the time of publication. Any differences between the manual and the machine will be due to upgrades after the manual was published. Variations, technical errors or typos will be revised in later editions.

In accordance with our policy of continuous improvement, we reserve the right to modify drawings and specifications without prior warning.

This manual is published by:

AGFA GRAPHICS  
Septestraat 27  
2640 MORTSEL (BE).  
www.agfa.com

# **SPARE PARTS LIST**

## **GENERAL**

### **PARTS DELIVERED**

Parts delivered are specified on the enclosed packing list.

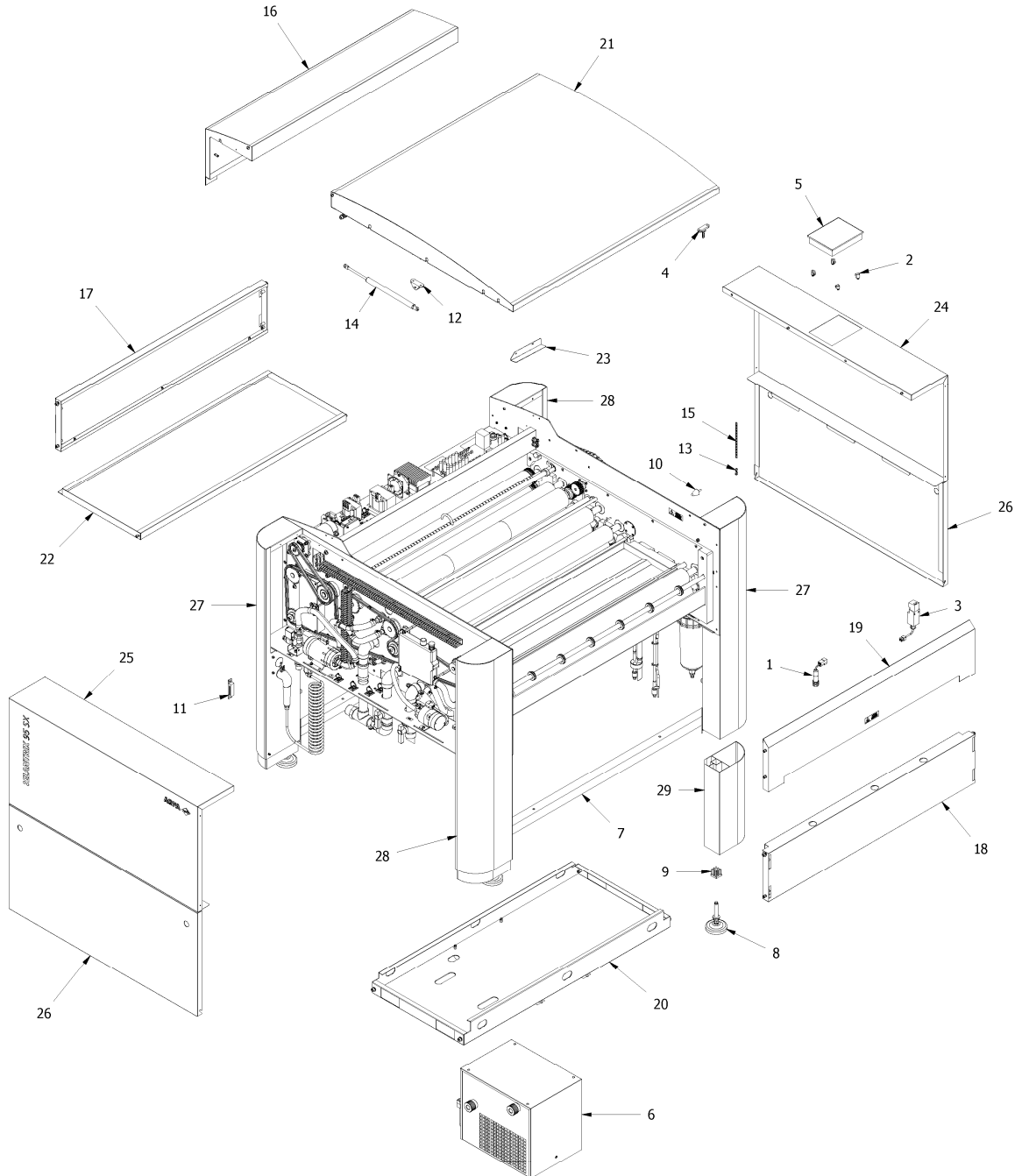
### **ORDERING SPARE PARTS**

When ordering spare parts, please always mention the complete spare part number, the spare part description and the number of items wanted.

**PANELS**

ELANTRIX SX\_Panels

PANELS

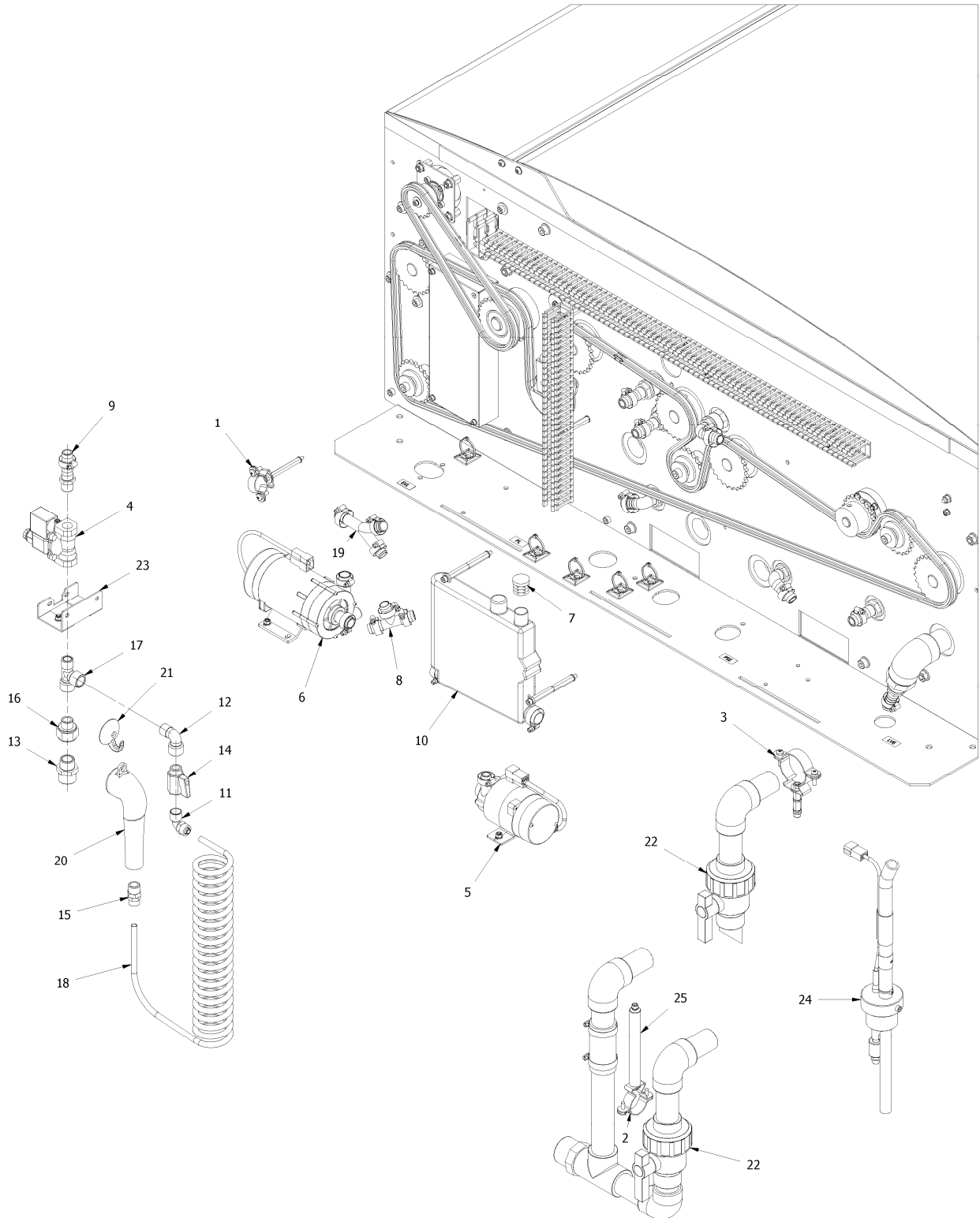


<b>PANELS</b>				
<b>POS.</b>	<b>95 SX</b>	<b>125 SX</b>	<b>150 SX</b>	<b>DESCRIPTION</b>
<b>1</b>		LX+000ELE0127		OPTICAL SENSOR
<b>2</b>		LX+000ELE0599		LOCK SCREW, CONTROL PANEL
<b>3</b>		LX+000ELE0646		SAFETY SWITCH
<b>4</b>		LX+000ELE0647		KEY, SAFETY SWITCH
<b>5</b>		LX+000ELE0676		CONTROL PANEL
<b>6</b>		LX+000ELM0086		COOLING UNIT, GS10R
<b>7</b>		LX+000IMB0213		LIFT BAR
<b>8</b>		LX+000MEC0011		ADJUSTABLE FEET, M14 D.80
<b>9</b>		LX+000MEC0041		STOPPER, ADJUSTABLE FEET, M14
<b>10</b>		LX+000MEC0101		DEV. COVER, STOPPER
<b>11</b>		LX+000MEC0135		MAGNET, COVER, SIDE, LOWER
<b>12</b>		LX+000MEC0137		SUPPORT, GAS SPRING
<b>13</b>		LX+000MEC0141		SNAP HOOK
<b>14</b>	LX+000MEC0146	LX+000MEC0140	LX+000MEC0147	GAS SPRING
<b>15</b>		LX+000MEC0149		CHAIN, RING
<b>16</b>	LX+095RGE0058	LX+125RGE0058	LX+150RGE0058	PANEL, REAR, UPPER
<b>17</b>	LX+095RGE0059	LX+125RGE0059	LX+150RGE0059	PANEL, REAR, LOWER
<b>18</b>	LX+095SVL0504	LX+125SVL0504	LX+150SVL0504	PANEL, FRONT, LOWER
<b>19</b>	LX+095SVL0505	LX+125SVL0505	LX+150SVL0505	PANEL, FRONT, UPPER
<b>20</b>	LX+095SVL0506	LX+125SVL0506	LX+150SVL0506	SUPPORT, CHILLER
<b>21</b>	LX+095SVL0509	LX+125SVL0509	LX+150SVL0509	TOP COVER
<b>22</b>	LX+095SVL0515	LX+125SVL0515	LX+150SVL0515	PANEL, DRYER SECTION, LOWER
<b>23</b>		LX+150RGE0070		DEFLECTOR
<b>24</b>		LX+150SVL0510		COVER, SIDE, CONTROL PANEL
<b>25</b>		LX+150SVL0511		COVER, SIDE
<b>26</b>		LX+150SVL0512		COVER, SIDE. LOWER
<b>27</b>		LX+150SVL0533		LEG, RIGHT
<b>28</b>		LX+150SVL0534		LEG, LEFT
<b>29</b>		LX+150SVL0535		LEG, TELESCOPIC

**LEFT SIDE**

ELANTRIX SX\_Left side

LEFT SIDE

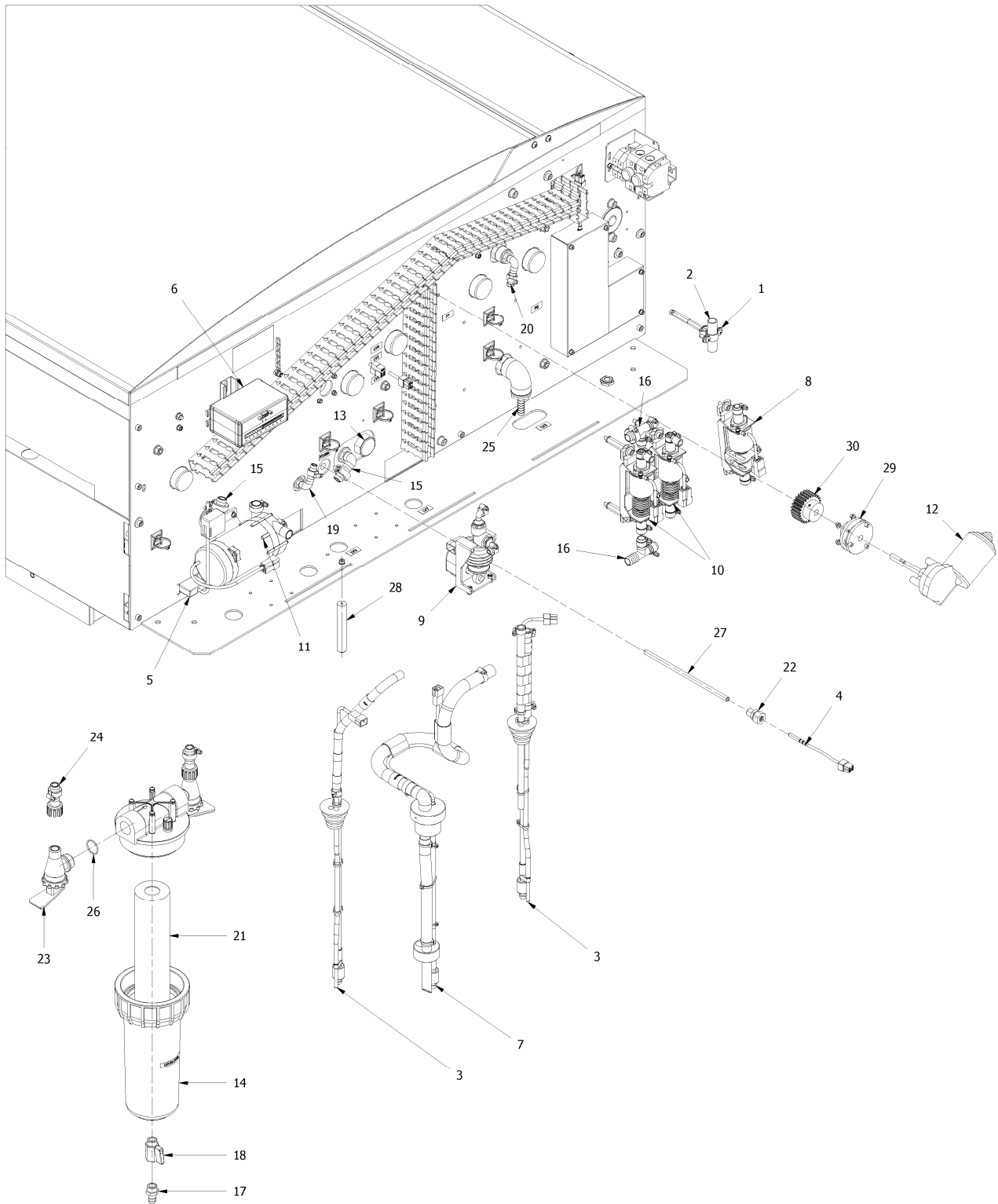


<b>LEFT SIDE</b>				
<b>POS.</b>	<b>95 SX</b>	<b>125 SX</b>	<b>150 SX</b>	<b>DESCRIPTION</b>
<b>1</b>		LX+000ELE0199		CLAMP
<b>2</b>		LX+000ELE0226		CLAMP
<b>3</b>		LX+000ELE0652		CLAMP
<b>4</b>		LX+000ELM0094		SOLENOID VALVE
<b>5</b>		LX+000ELM0099		PUMP, PMD L 0531
<b>6</b>		LX+000ELM0100		PUMP, PMD L 371G
<b>7</b>		LX+000MEC0175		CAP, COOLING TANK
<b>8</b>		LX+000RAC0028		HOSE TAIL, TEE, D.16
<b>9</b>		LX+000RAC0029		HOSE TAIL, 3/8"X16
<b>10</b>		LX+000RAC0041		COOLING TANK
<b>11</b>		LX+000RAC0057		FITTING, 1500, 10-8 3/8"
<b>12</b>		LX+000RAC0058		FITTING, 2020, 3/8"
<b>13</b>		LX+000RAC0065		FITTING, 2510, 1/2" - 3/8"
<b>14</b>		LX+000RAC0070		VALVE, 3/8", M-F
<b>15</b>		LX+000RAC0073		FITTING, 1510, 10-8 3/8"
<b>16</b>		LX+000RAC0095		FITTING, 2520, 3/8"-1/2"
<b>17</b>		LX+000RAC0163		FITTING, 2070, 3/8"
<b>18</b>		LX+000RAC0210		SPIRAL TUBE, HAND SHOWER
<b>19</b>		LX+000RAC0214		HOSE TAIL, Y, D.16
<b>20</b>		LX+000RAC0217		HAND SHOWER
<b>21</b>		LX+000RAC0218		SUPPORT, HAND SHOWER
<b>22</b>		LX+000RAC0241		VALVE, PVC, D,32
<b>23</b>		LX+150SVL0061		SUPPORT, SOLENOID VALVE
<b>24</b>		LX+150SVL0303		CAP, OVERFLOW PROBE
<b>25</b>		LX+150SVL0525		SUPPORT, WATER VALVE

**RIGHT SIDE**

ELANTRIX SX\_Right side

RIGHT SIDE

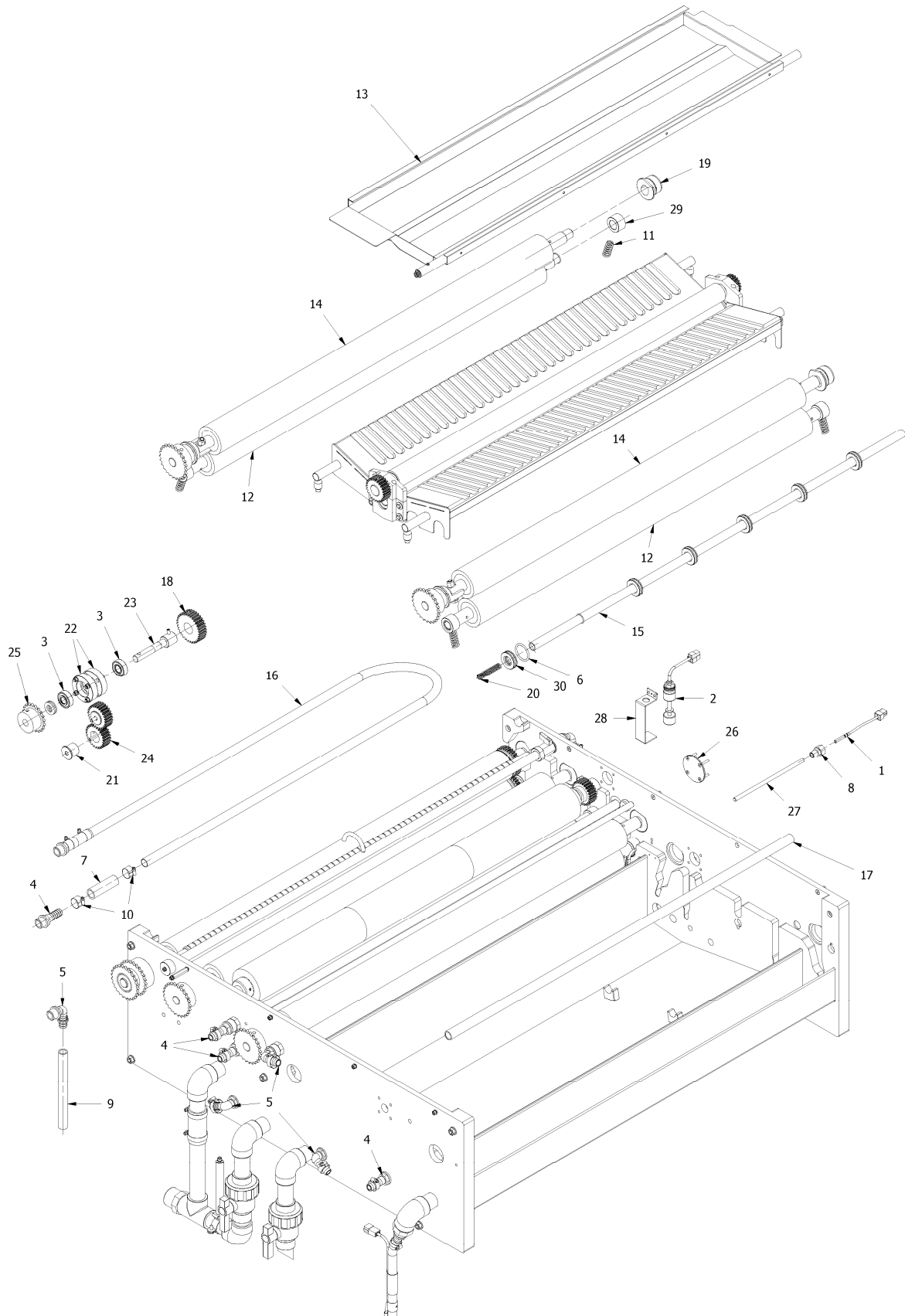


<b>RIGHT SIDE</b>				
<b>POS.</b>	<b>95 SX</b>	<b>125 SX</b>	<b>150 SX</b>	<b>DESCRIPTION</b>
<b>1</b>		LX+000ELE0200		CLAMP
<b>2</b>		LX+000ELE0256		TUBE, ELECTRIC
<b>3</b>		LX+000ELE0415		LEVEL SENSOR
<b>4</b>		LX+000ELE0435		SENSOR, TEMPERATURE PT100
<b>5</b>		LX+000ELE0542		INTERFACE CABLE, MACHINE
<b>6</b>		LX+000ELE0572		BOARD, INTERFACE CTP
<b>7</b>		LX+000ELE0707		LEVEL SENSOR
<b>8</b>		LX+000ELM0023		PUMP, 14825/507
<b>9</b>		LX+000ELM0069		BELLOWS PUMP, 16504, 1-1/2"
<b>10</b>		LX+000ELM0090		PUMP, 15000/303
<b>11</b>		LX+000ELM0100		PUMP, PMD L 371G
<b>12</b>		LX+000ELM0132		MOTOR, 24DC, 50RPM
<b>13</b>		LX+000RAC0005		CAP, PVC, 1"
<b>14</b>		LX+000RAC0015		FILTER HOUSING
<b>15</b>		LX+000RAC0025		HOSE TAIL 90°, 1/2"X16
<b>16</b>		LX+000RAC0028		HOSE TAIL, TEE, D.16
<b>17</b>		LX+000RAC0062		HOSE TAIL, 3/8"X12
<b>18</b>		LX+000RAC0070		VALVE, 3/8", M-F
<b>19</b>		LX+000RAC0189		HOSE TAIL 90°, 3/8"X12
<b>20</b>		LX+000RAC0192		HOSE TAIL, 1/2" X 12
<b>21</b>		LX+000RAC0211		FILTER, 75 MICRON, COTTON
<b>22</b>		LX+000RAC0221		FITTING, COMPRESSION
<b>23</b>		LX+000RAC0222		VALVE, 90°, 3/4"
<b>24</b>		LX+000RAC0223		HOUSE TAIL, 1/2"X16, FEMALE
<b>25</b>		LX+000RAC0225		HOSE TAIL, 3/4" X 13
<b>26</b>		LX+000RAC0226		O-RING, 0230
<b>27</b>		LX+150SVL0173		TUBE, TEMPERATURE SENSOR
<b>28</b>		LX+150SVL0524		PIN
<b>29</b>		LX+150SVL0562		SUPPORT, BRUSH MOTOR
<b>30</b>		LX+150SVL0563		GEAR, Z. 25, M. 2

**DEVELOPER SECTION**

ELANTRIX SX\_Dev. section

DEVELOPER SECTION

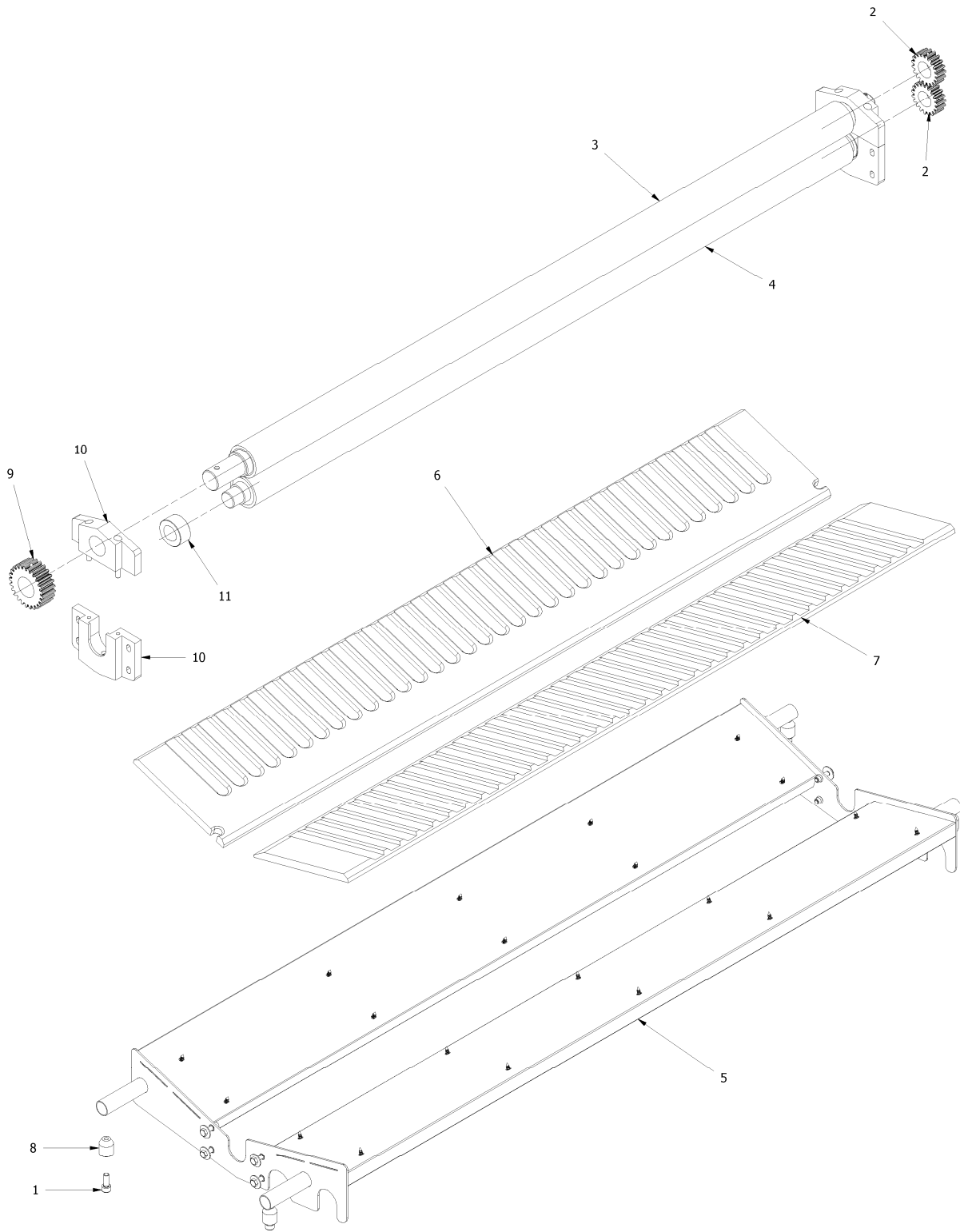


<b>DEVELOPER SECTION</b>				
<b>POS.</b>	<b>95 SX</b>	<b>125 SX</b>	<b>150 SX</b>	<b>DESCRIPTION</b>
1		LX+000ELE0435		SENSOR, TEMPERATURE PT100
2		LX+000ELE0517		LEVEL SENSOR, DOUBLE
3		LX+000MEC0037		BEARING, 6202
4		LX+000RAC0024		HOSE TAIL, 1/2"X16
5		LX+000RAC0025		HOSE TAIL 90°, 1/2"X16
6		LX+000RAC0125		O-RING
7		LX+000RAC0196		PIPE
8		LX+000RAC0221		FITTING, COMPRESSION
9		LX+000RAC0234		PIPE, SILICON
10		LX+000VIT0201		CLAMP, HOSE, D.14-22
11		LX+065SVL0013	LX+150SVL0072	SPRING, RUBBER ROLLER
12	LX+095AZR0125	LX+125AZR0125	LX+150AZR0125	RUBBER ROLLER, LOWER
13	LX+095PLY0012	LX+125PLY0012	LX+150PLY0012	COVER, DEV. TANK
14	LX+095SVL0011	LX+125SVL0011	LX+150SVL0011	RUBBER ROLLER, UPPER
15	LX+095SVL0082	LX+125SVL0082	LX+150SVL0082	TUBE, WHEELS ROLLER
16	LX+095SVL0155	LX+125SVL0155	LX+150SVL0155	TUBE, DEV. COOLING
17	LX+095SVL0517	LX+125SVL0517	LX+150SVL0517	SPRAY BAR, DEV. TANK
18		LX+150GOM0011		GEAR, Z.32, M.2
19		LX+150SVL0026		BEARING, ROLLER TOP
20		LX+150SVL0070		SPRING, L. 60, D.12
21		LX+150SVL0103		SHAFT, IDLE GEAR
22		LX+150SVL0104		BUSHING, BALL BEARING
23		LX+150SVL0105		SHAFT, IDLE GEAR
24		LX+150SVL0110		GEAR, Z. 25, M. 2
25		LX+150SVL0111		SPROCKET, Z.20, P.3/8"
26		LX+150SVL0120		CAP, PVC
27		LX+150SVL0173		TUBE, TEMPERATURE SENSOR
28		LX+150SVL0187		BRACKET LEVEL SENSOR
29		LX+150SVL0531		BEARING, ROLLER, LOWER
30		LX+150SVL0537		PLASTIC WHEEL

**DEVELOPER PLATE GUIDE**

ELANTRIX SX\_Dev. plate guide

DEVELOPER PLATE GUIDE\_CENTER ROLLER

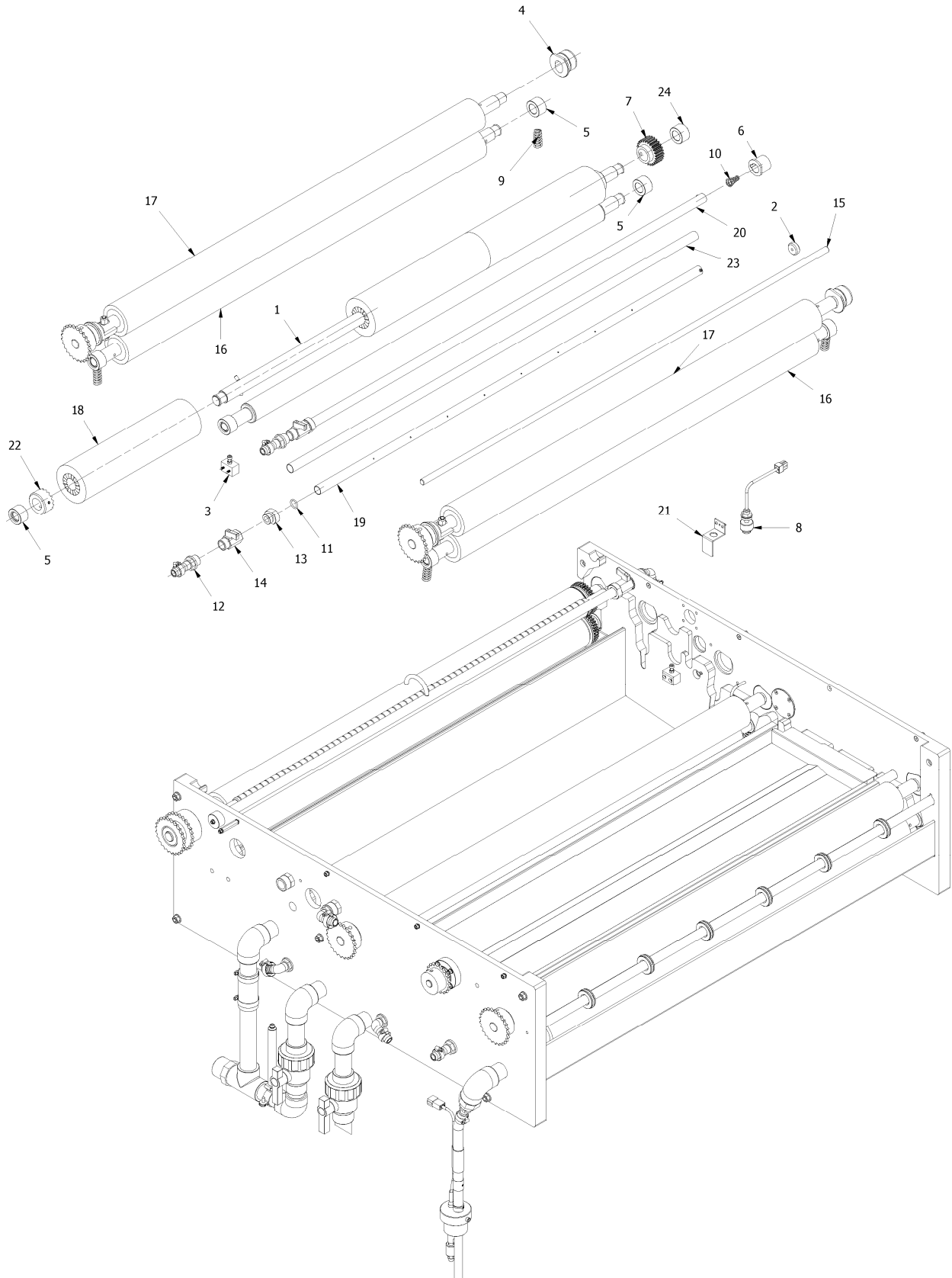


<b>DEVELOPER PLATE GUIDE</b>				
<b>POS.</b>	<b>95 SX</b>	<b>125 SX</b>	<b>150 SX</b>	<b>DESCRIPTION</b>
<b>1</b>		LX+000VIT0160		SCREW M6x16
<b>2</b>		LX+065VLT0066		GEAR, Z. 19, M. 2
<b>3</b>	LX+095SVL0109	LX+125SVL0109	LX+150SVL0109	RUBBER ROLLER, UPPER, DEV.TANK
<b>4</b>	LX+095SVL0119	LX+125SVL0119	LX+150SVL0119	RUBBER ROLLER, LOWER, DEV. TANK
<b>5</b>	LX+095SVL0540	LX+125SVL0540	LX+150SVL0540	FRAME, DEV.PLATE GUIDE
<b>6</b>	LX+095SVL0541	LX+125SVL0541	LX+150SVL0541	PLASTIC PLATE GUIDE, REAR
<b>7</b>	LX+095SVL0542	LX+125SVL0542	LX+150SVL0542	PLASTIC PLATE GUIDE, FRONT
<b>8</b>		LX+150SVL0022		SPACER, ADJUSTABLE, DEV. PLATE GUIDE
<b>9</b>		LX+150SVL0110		GEAR, Z. 25, M. 2
<b>10</b>		LX+150SVL0117		SUPPORT, DEV. TANK ROLLER
<b>11</b>		LX+150SVL0127		BEARING, DEV. TANK ROLLER

**WASH SECTION**

ELANTRIX SX\_Wash. section

WASH SECTION

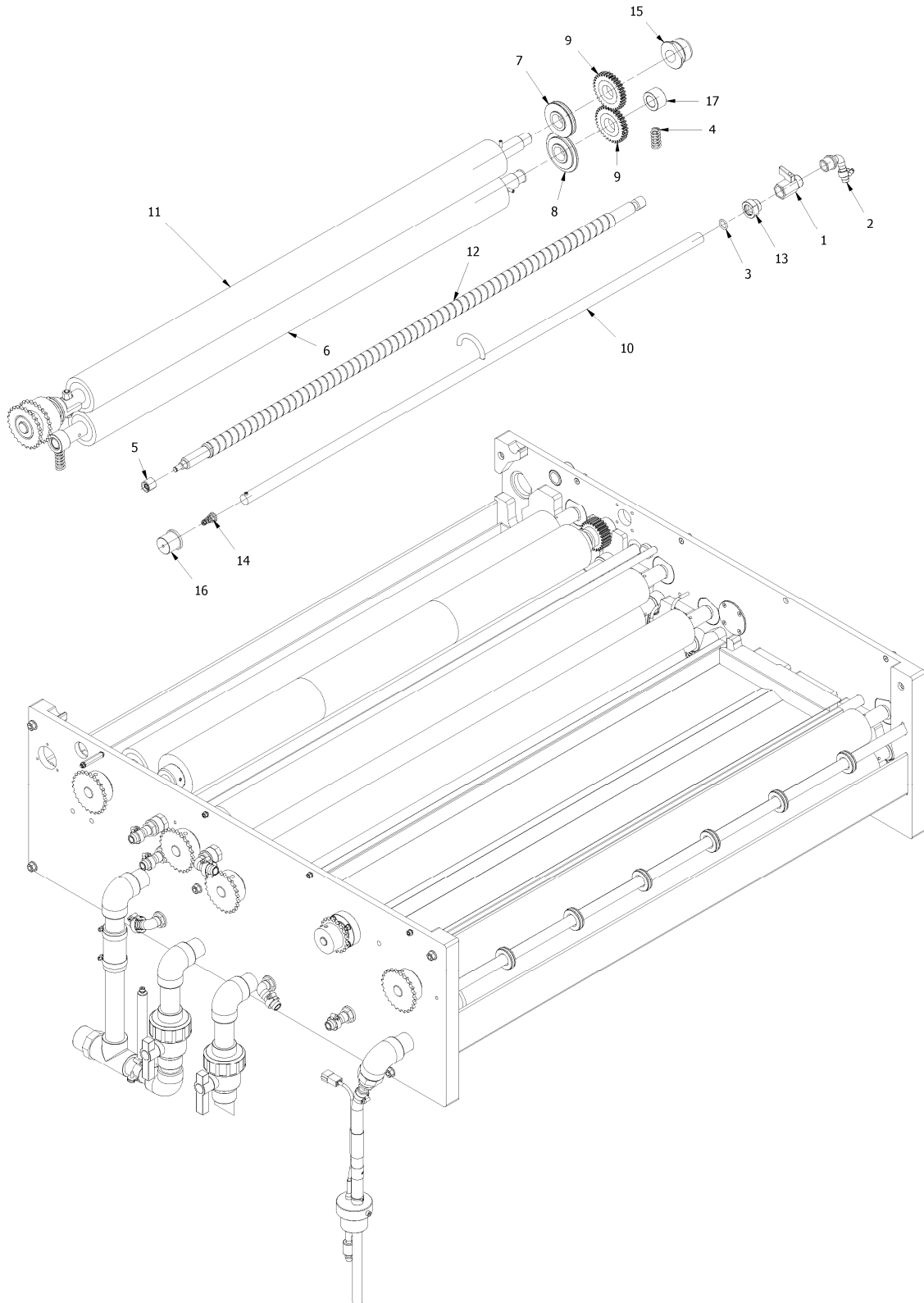


<b>WASH SECTION</b>				
<b>POS.</b>	<b>95 SX</b>	<b>125 SX</b>	<b>150 SX</b>	<b>DESCRIPTION</b>
<b>1</b>	LX+095SVL0073	LX+125SVL0073	LX+150SVL0073	SHAFT, BRUSH
<b>2</b>		LX+065SVL0104		BUSHING, SQUEEZE ROLLER
<b>3</b>		LX+150SVL0555		SUPPORT, LOWER ROLLER, BRUSH
<b>4</b>		LX+150SVL0026		BEARING, ROLLER TOP
<b>5</b>		LX+150SVL0531		BEARING, ROLLER, LOWER
<b>6</b>		LX+150SVL0171		BUSHING, SPRAY BAR
<b>7</b>		LX+150SVL0030		GEAR, Z.25, M.2
<b>8</b>		LX+000ELE0428		LEVEL SENSOR
<b>9</b>	LX+065SVL0013		LX+150SVL0072	SPRING, RUBBER ROLLER
<b>10</b>		LX+125AZU0054		SPRING, CONE
<b>11</b>		LX+000RAC0276		O-RING, D13.94X2.62
<b>12</b>		LX+000RAC0024		HOSE TAIL, 1/2"X16
<b>13</b>		LX+125AZU0053		COUPLING, SPRAY BAR
<b>14</b>		LX+000RAC0055		VALVE, 1/2" M-F
<b>15</b>	LX+095SVL0113	LX+125SVL0113	LX+150SVL0113	SQUEEZE ROLLER
<b>16</b>	LX+095AZR0125	LX+125AZR0125	LX+150AZR0125	RUBBER ROLLER, LOWER
<b>17</b>	LX+095SVL0011	LX+125SVL0011	LX+150SVL0011	RUBBER ROLLER, UPPER
<b>18</b>		LX+000MEC0133	LX+000MEC0129	BRUSH, SEGMENT
<b>19</b>	LX+095SVL0176	LX+125SVL0176	LX+150SVL0176	SPRAY BAR, LOWER WASH TANK
<b>20</b>	LX+095SVL0175	LX+125SVL0175	LX+150SVL0175	SPRAY BAR, UPPER WASH TANK
<b>21</b>		LX+150SVL0188		SUPPORT, LEVEL SENSOR
<b>22</b>		LX+000MEC0079		BRUSH STOPPER
<b>23</b>	LX+095SVL0054	LX+125SVL0054	LX+150SVL0054	TUBE, PLATE SUPPORT
<b>24</b>		LX+150SVL0531	LX+150SVL0552	BEARING

**GUM SECTION**

ELANTRIX SX\_Gum section

GUM SECTION

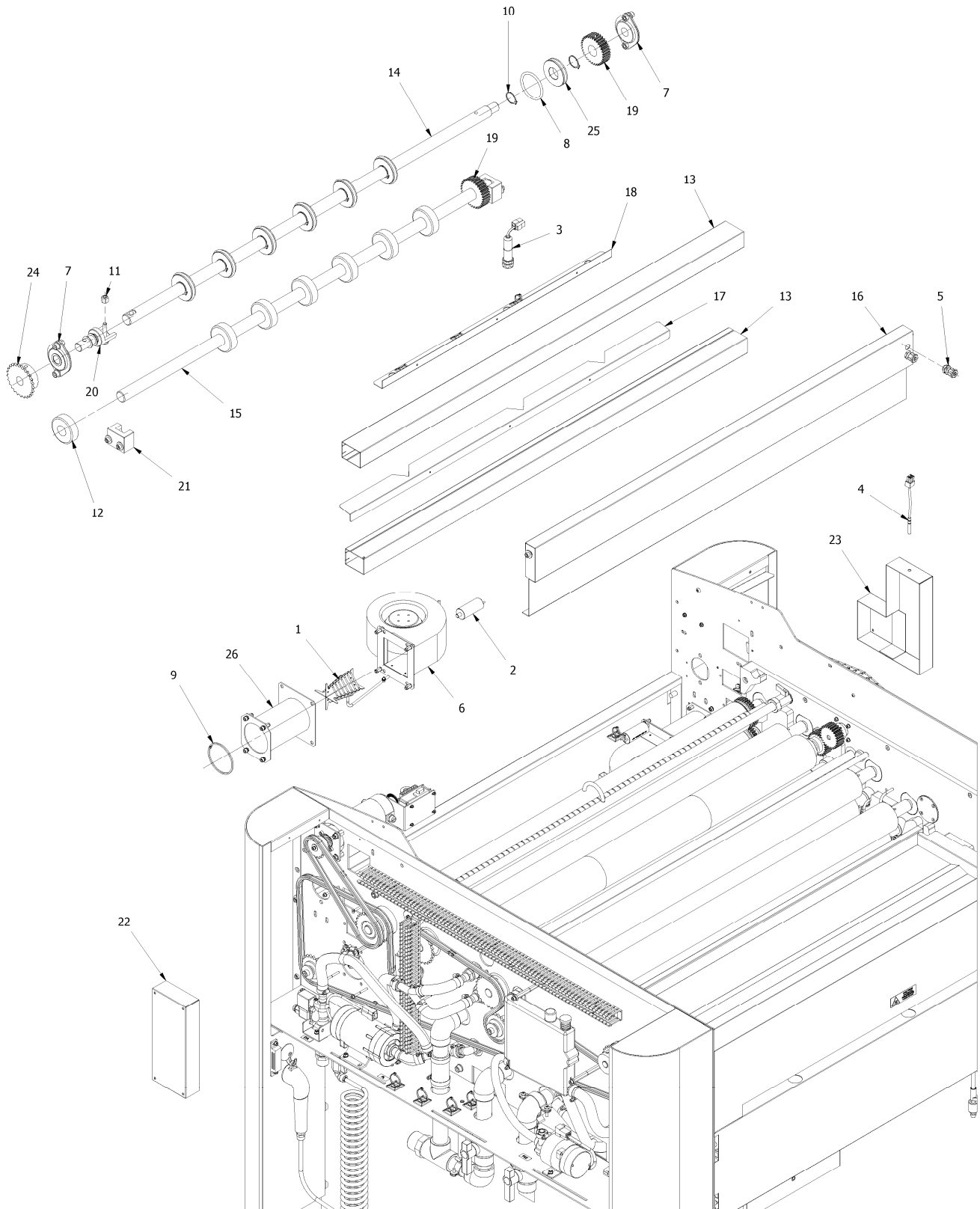


<b>GUM SECTION</b>				
<b>POS.</b>	<b>95 SX</b>	<b>125 SX</b>	<b>150 SX</b>	<b>DESCRIPTION</b>
<b>1</b>		LX+000RAC0055		VALVE, 1/2" M-F
<b>2</b>		LX+000RAC0192		HOSE TAIL, 1/2" X 12
<b>3</b>		LX+000RAC0276		O-RING, D13.94X2.62
<b>4</b>	LX+065SVL0013		LX+150SVL0072	SPRING, RUBBER ROLLER
<b>5</b>		LX+085VCF0098		BEARING, APPLICATION ROLLER
<b>6</b>	LX+095AZR0125	LX+125AZR0125	LX+150AZR0125	RUBBER ROLLER, LOWER
<b>7</b>		LX+095AZR0126		GUIDE WHEEL, TOP
<b>8</b>		LX+095AZR0127		GUIDE WHEEL, BOTTOM
<b>9</b>		LX+095AZR0130		GEAR, Z.32, M2
<b>10</b>	LX+095RGE0017	LX+125RGE0017	LX+150RGE0017	SPRAY BAR, GUM
<b>11</b>	LX+095SVL0011	LX+125SVL0011	LX+150SVL0011	RUBBER ROLLER, UPPER
<b>12</b>	LX+095SVL0551	LX+125SVL0551	LX+150SVL0551	SPIRAL ROLLER, APPLICATION, GUM
<b>13</b>		LX+125AZU0053		COUPLING, SPRAY BAR
<b>14</b>		LX+125AZU0054		SPRING, CONE
<b>15</b>		LX+150SVL0026		BEARING, ROLLER TOP
<b>16</b>		LX+150SVL0171		BUSHING, SPRAY BAR
<b>17</b>		LX+150SVL0531		BEARING, ROLLER, LOWER

**DRYER SECTION**

ELANTRIX SX\_Dryer section

DRYER SECTION

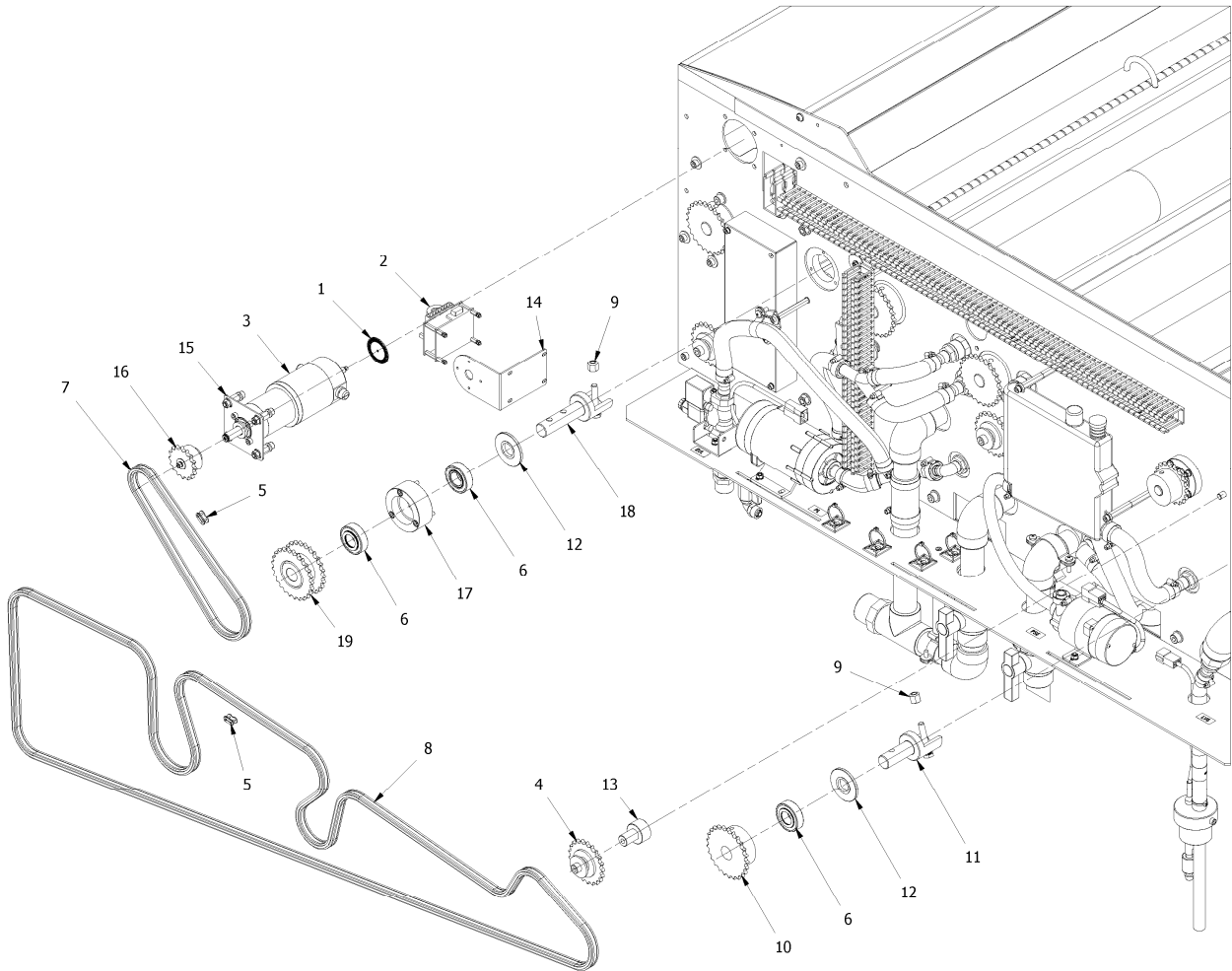


<b>DRYER SECTION</b>				
<b>POS.</b>	<b>95 SX</b>	<b>125 SX</b>	<b>150 SX</b>	<b>DESCRIPTION</b>
<b>1</b>		LX+000ELE0027		HEATING ELEMENT, 800 W
<b>2</b>		LX+000ELE0096		CAPACITOR
<b>3</b>		LX+000ELE0127		OPTICAL SENSOR
<b>4</b>		LX+000ELE0435		SENSOR, TEMPERATURE PT100
<b>5</b>		LX+000ELE0445		CABLE GLAND PG7
<b>6</b>		LX+000ELM0085		DRYER FAN, ECOFIT 2GREu15
<b>7</b>		LX+000MEC0015		SUPPORT, BALL BEARING
<b>8</b>		LX+000MEC0131		RUBBER RING, D.60
<b>9</b>		LX+000VIT0069		RING SEEGER, D.70
<b>10</b>		LX+000VIT0175		RING SEEGER, D.26
<b>11</b>		LX+000VIT0280		NUT, M8, BRASS
<b>12</b>		LX+090SVL0062		RUBBER WHEEL, D.60
<b>13</b>	LX+095SVL0007	LX+125SVL0007	LX+150SVL0007	AIR TUBE, DRYER SECTION
<b>14</b>	LX+095SVL0017	LX+125SVL0017	LX+150SVL0017	SHAFT, EXIT ROLLER, UPPER
<b>15</b>	LX+095SVL0018	LX+125SVL0018	LX+150SVL0018	SHAFT, EXIT ROLLER, LOWER
<b>16</b>	LX+095SVL0036	LX+125SVL0036	LX+150SVL0036	PANEL, DRYER SECTION
<b>17</b>	LX+095SVL0086	LX+125SVL0086	LX+150SVL0086	PLATE SUPPORT, DRYER SECTION
<b>18</b>	LX+095SVL0183	LX+125SVL0183	LX+150SVL0183	BRACKET, EXIT SENSOR
<b>19</b>		LX+150GOM0011		GEAR, Z.32, M.2
<b>20</b>		LX+150SVL0020		DRIVE SHAFT
<b>21</b>		LX+150SVL0025		SUPPORT, EXIT ROLLER, LOWER
<b>22</b>		LX+150SVL0027		BAFFLE, DRYER SECTION, LEFT
<b>23</b>		LX+150SVL0028		BAFFLE, DRYER SECTION, RIGHT
<b>24</b>		LX+150SVL0068		SPROCKET, Z.25, 3/8"
<b>25</b>		LX+150SVL0099		IDLE WHEEL, D.60
<b>26</b>		LX+150SVL0190		TUBE ELEMENT, DRYER

**DRIVE SYSTEM**

ELANTRIX SX\_Drive system

DRIVE SYSTEM

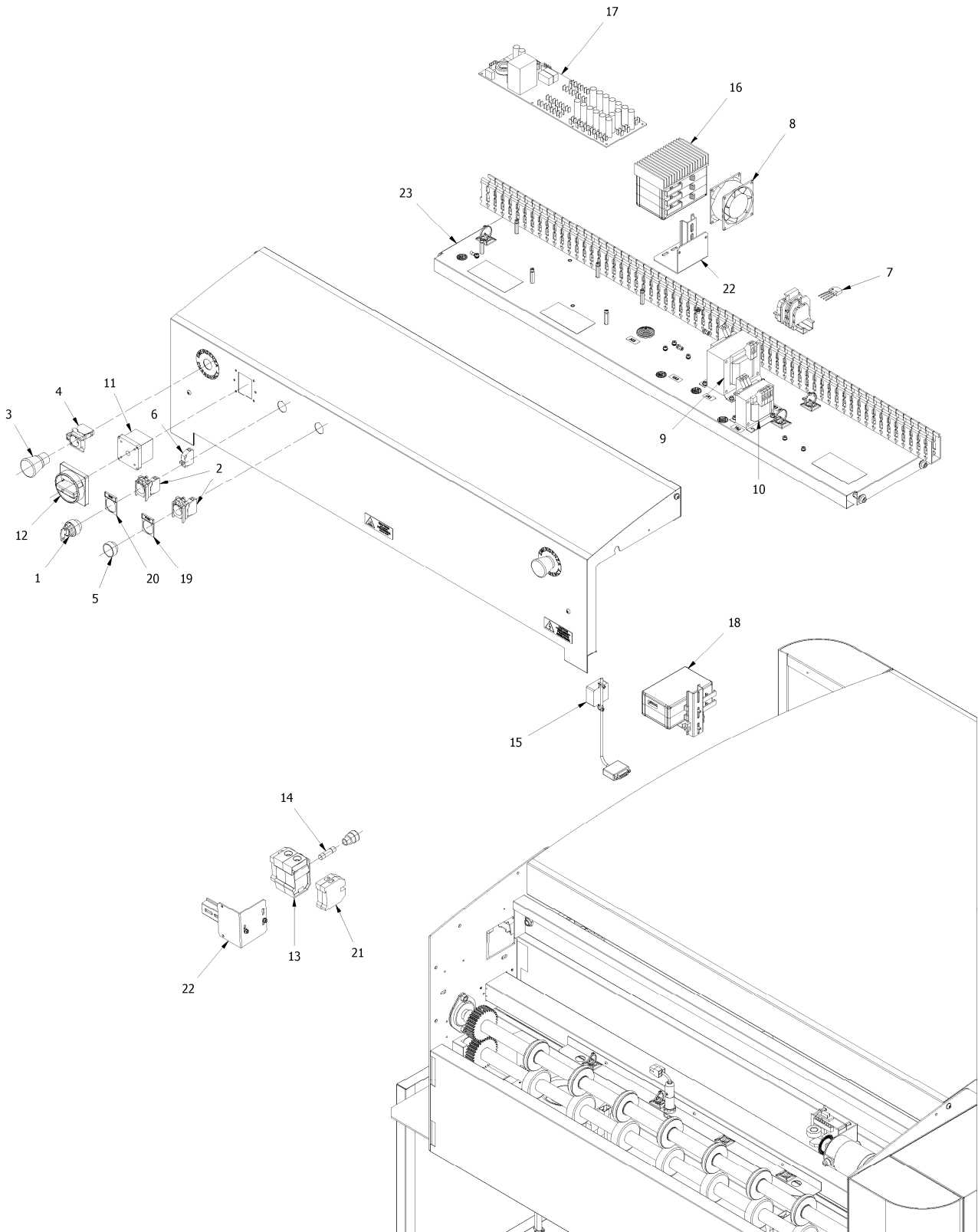


<b>DRIVE SYSTEM</b>				
<b>POS.</b>	<b>95 SX</b>	<b>125 SX</b>	<b>150 SX</b>	<b>DESCRIPTION</b>
<b>1</b>		LX+000ELE0033		ENCODER WHEEL
<b>2</b>		LX+000ELE0566		ROLLER POWER SLAVE
<b>3</b>		LX+000ELM0079		DRIVE MOTOR, P52/3 R.1/181
<b>4</b>		LX+000MEC0019		IDLE SPROCKET Z.21
<b>5</b>		LX+000MEC0022		CHAIN SPLIT LINK, P.3/8"
<b>6</b>		LX+000MEC0073		BEARING, 6004
<b>7</b>		LX+000MEC0109		CHAIN, P.63 - 3/8"
<b>8</b>		LX+000MEC0143		CHAIN, P.329 - 3/8"
<b>9</b>		LX+000VIT0280		NUT, M8, BRASS
<b>10</b>		LX+090SVL0035		SPROCKET Z.25 3/8"
<b>11</b>		LX+150SVL0020		DRIVE SHAFT
<b>12</b>		LX+150SVL0021		SPACER RING, DRIVE
<b>13</b>		LX+150SVL0024		SHAFT, IDLE SPROCKET
<b>14</b>		LX+150SVL0071		BRACKET, ROLLER POWER SLAVE
<b>15</b>		LX+150SVL0129		SUPPORT, DRIVE MOTOR
<b>16</b>		LX+150SVL0146		SPROCKET Z.16 3/8"
<b>17</b>		LX+150SVL0152		BUSHING, BALL BEARING
<b>18</b>		LX+150SVL0153		DRIVE SHAFT, LONG
<b>19</b>		LX+150SVL0154		SPROCKET, DOUBLE Z.25 P.3/8"

**E-BOX**

ELANTRIX SX\_E-Box

E - BOX



<b>E-BOX</b>				
<b>POS.</b>	<b>95 SX</b>	<b>125 SX</b>	<b>150 SX</b>	<b>DESCRIPTION</b>
<b>1</b>		LX+000ELE0081		SERVICE KEY
<b>2</b>		LX+000ELE0099		CONTACT, OPEN
<b>3</b>		LX+000ELE0112		BUTTON, EMERGENCY
<b>4</b>		LX+000ELE0232		SWITCH
<b>5</b>		LX+000ELE0279		BUTTON, GREEN
<b>6</b>		LX+000ELE0280		CONTACT, CLOSE
<b>7</b>		LX+000ELE0437		DIODE BRIDGE, 4A
<b>8</b>		LX+000ELE0488		FAN, 80x80
<b>9</b>		LX+000ELE0518		TRANSFORMER,220/24V_150VA
<b>10</b>		LX+000ELE0520		TRANSFORMER, 220/24V_50VA
<b>11</b>		LX+000ELE0523		MAINS SWITCH, 25A
<b>12</b>		LX+000ELE0524		MAINS SWITCH, HANDLE
<b>13</b>		LX+000ELE0525		TERMINAL BLOCK, FUSED, SAKS4/35
<b>14</b>		LX+000ELE0526		FUSE, 15A
<b>15</b>		LX+000ELE0542		INTERFACE CABLE, MACHINE
<b>16</b>		LX+000ELE0568		IN - OUT, SLAVE
<b>17</b>		LX+000ELE0569		POWER SUPPLY BOARD
<b>18</b>		LX+000ELE0572		BOARD, INTERFACE CTP
<b>19</b>		LX+000ELE0589		LABLE, START
<b>20</b>		LX+000ELE0590		LABLE, HAND
<b>21</b>		LX+000ELE0692		TERMINAL BLOCK, EARTH, 16 mm
<b>22</b>		LX+085VLT0043		BRACKET, IN-OUT SLAVE
<b>23</b>	LX+095SVL0035	LX+125SVL0035	LX+150SVL0035	PANEL, E-BOX SUPPORT